



## Spa Pumps / Viper - 56-Frame

### FEATURES:

- Viper wet end designed specifically for 56-frame motors
- Two double shielded ball bearings with moisture resistant grease for quieter operation and longer life
- Two speed motors have four sets of insulated windings for increased efficiency
- 56-frame motor for added strength, cooler operating temperature and longer motor life
- Large 2 1/2" intake for improved flow performance and reduced noise
- Large 8" diameter wet end for increased volume capacity
- Split capacitor, (start and run) for less energy consumption
- Thermally protected to extend life expectancy of motor
- Highly versatile wet end can be rotated every 90°
- Viton seals
- Three year warranty on motor and wet end

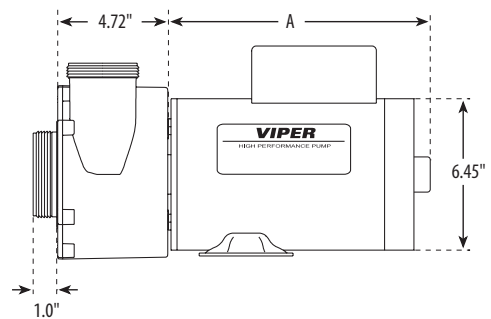
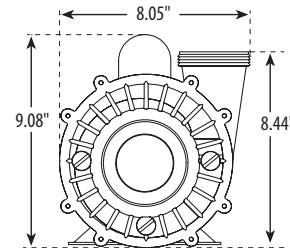
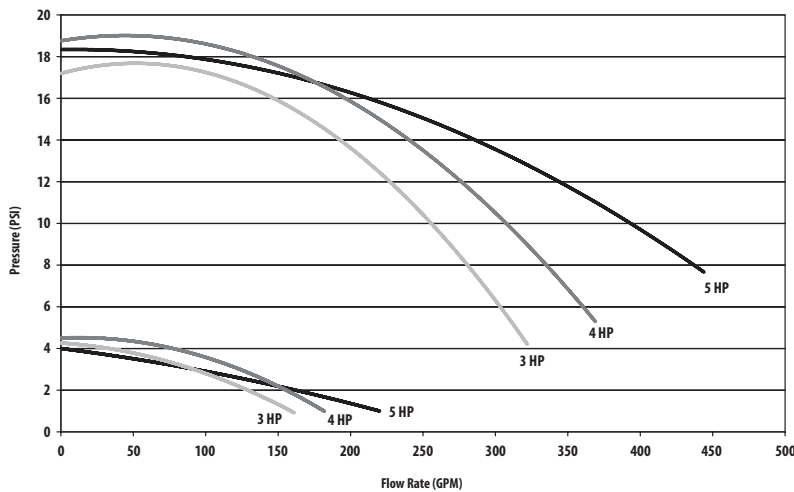
Call for available cords and plugs.



For 2-speed models only

For replacement parts, see page 127.

Viper Performance Chart



### 2-Speed Viper 56-Frame Pumps

Part No.	Description	HP	Volts	Amps High Speed	Amps Low Speed	Hz	Dimension "A"	List (US \$)
<b>3721221-1T</b>	2 1/2" Intake - 2 1/2" Discharge	3	230	10	3.5	60	11"	670.84
<b>3721621-1T</b>	2 1/2" Intake - 2 1/2" Discharge	4	230	12	4.4	60	11"	720.20
<b>3722021-0T</b>	2 1/2" Intake - 2 1/2" Discharge	5	230	16.4	4.8	60	11"	743.51

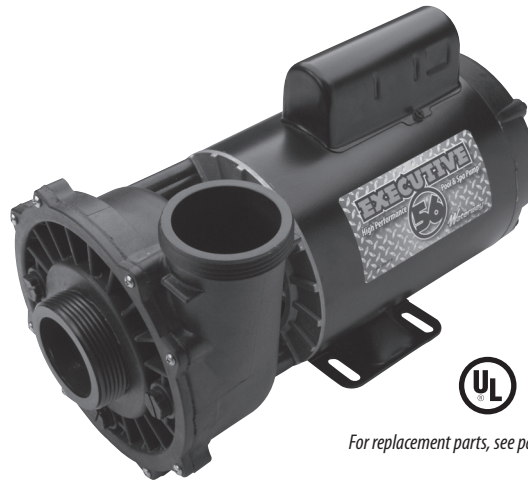
### 1-Speed Viper 56-Frame Pumps

Part No.	Description	HP	Volts	Amps	Hz	Dimension "A"	List (US \$)
<b>3711621-0T</b>	2 1/2" Intake - 2 1/2" Discharge	4	230	12	60	11"	627.21
<b>3712021-0T</b>	2 1/2" Intake - 2 1/2" Discharge	5	230	16.4	60	11"	627.21



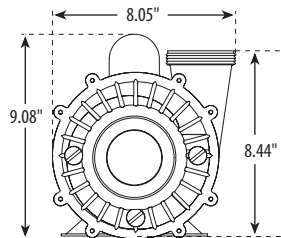
**FEATURES:**

- Executive wet end designed specifically for 56-frame motors
- Two double shielded ball bearings with moisture resistant grease for quieter operation and longer life
- Two speed motors have four sets of insulated windings for increased efficiency
- 56 frame motor for added strength, cooler operating temperature and longer motor life
- Large 2 1/2" intake for improved flow performance and reduced noise
- Large 6 1/2" diameter wet end for higher head pressure
- Split capacitor, (start and run) for less energy consumption
- Thermally protected to extend life expectancy of motor
- Highly versatile wet end can be rotated every 90°
- Viton seals
- Three year warranty on motor and wet end

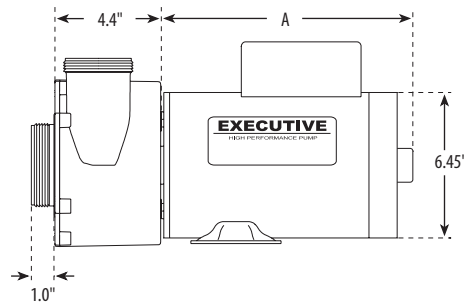
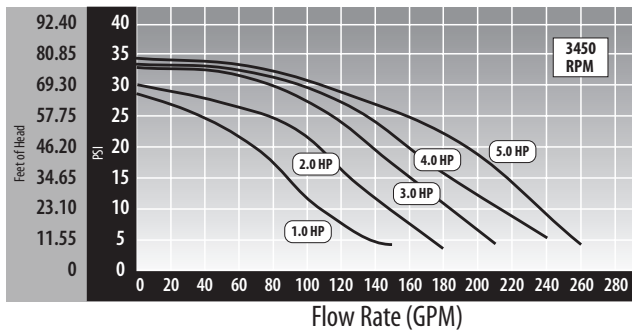


For replacement parts, see page 125.

Call for available cords and plugs.



**PRESSURE VERSUS FLOW RATE**



**2-Speed Executive 56-Frame Pumps**

Part No.	Description	HP	Volts	Amps High Speed	Amps Low Speed	Hz	Dimension "A"	List (US \$)
3720821-1D	2" Intake - 2" Discharge	2	230	8.0	3.0	60	8.875"	556.40
3720821-13	2 1/2" Intake - 2" Discharge	2	230	8.0	3.0	60	8.875"	556.40
3721221-1D	2" Intake - 2" Discharge	3	230	10.0	3.4	60	9.875"	594.50
3721221-13	2 1/2" Intake - 2" Discharge	3	230	10.0	3.4	60	9.875"	594.50
3721621-1D	2" Intake - 2" Discharge	4	230	12.0	4.4	60	10.375"	648.18
3721621-13	2 1/2" Intake - 2" Discharge	4	230	12.0	4.4	60	10.375"	648.18
3722021-1D	2" Intake - 2" Discharge	5	230	16.4	4.8	60	10.375"	736.04
3722021-13	2 1/2" Intake - 2" Discharge	5	230	16.4	4.8	60	10.375"	736.04

**1-Speed Executive 56-Frame Pumps**

Part No.	Description	HP	Volts	Amps	Hz	Dimension "A"	List (US \$)
3710821-1D	2" Intake - 2" Discharge	2	230	8.0	60	8.875"	556.40
3710821-13	2 1/2" Intake - 2" Discharge	2	230	8.0	60	8.875"	556.40
3711221-1D	2" Intake - 2" Discharge	3	230	10.0	60	9.875"	594.50
3711221-13	2 1/2" Intake - 2" Discharge	3	230	10.0	60	9.875"	594.50
3711621-1D	2" Intake - 2" Discharge	4	230	12.0	60	10.375"	616.72
3711621-13	2 1/2" Intake - 2" Discharge	4	230	12.0	60	10.375"	634.75
3712021-1D	2" Intake - 2" Discharge	5	230	16.4	60	10.375"	634.75
3712021-13	2 1/2" Intake - 2" Discharge	5	230	16.4	60	10.375"	643.11

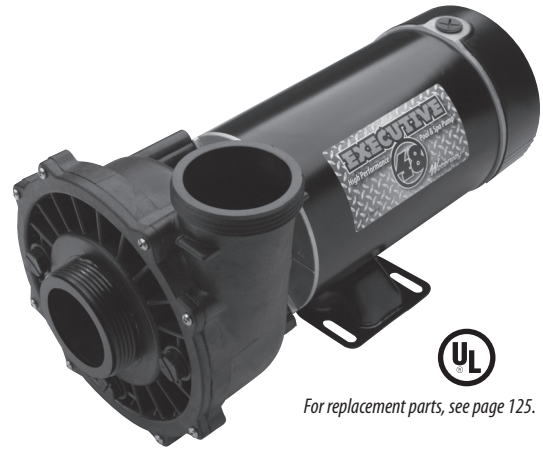


## Spa Pumps / Executive - 48-Frame

### FEATURES:

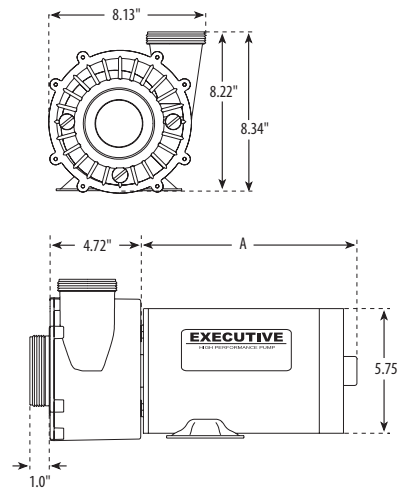
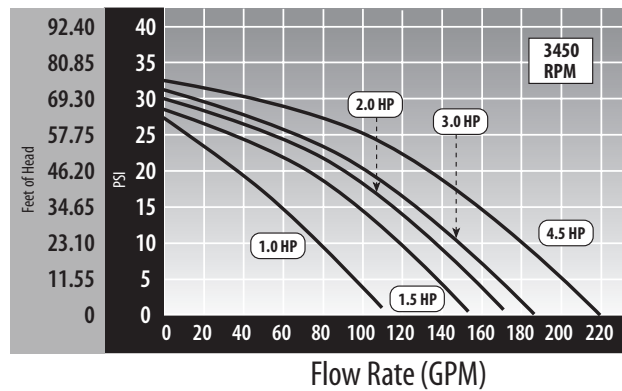
- Executive wet end designed specifically for 48-frame motors
- Large 2 ½" intake for improved flow performance and reduced noise
- Large 6 ½" diameter wet end for higher head pressure
- Thermally protected to extend life expectancy of motor
- Highly versatile wet end can be rotated every 90°
- Viton seals
- 2-year warranty on motor, 3-year on wet end

Call for available cords and plugs.



For replacement parts, see page 125.

### PRESSURE VERSUS FLOW RATE



### 2-Speed Executive 48-Frame Pumps

Part No.	Description	HP	Volts	Amps High Speed	Amps Low Speed	Hz	Dimension "A"	List (US \$)
<b>3420410-1A</b>	2" Intake - 2" Discharge	1.0	115	11.0	2.9	60	9.73"	478.37
<b>3420410-13</b>	2 ½" Intake - 2" Discharge	1.0	115	11.0	2.9	60	9.73"	478.37
<b>3420610-1A</b>	2" Intake - 2" Discharge	1.5	115	16.4	4.4	60	10.48"	522.36
<b>3420610-13</b>	2 ½" Intake - 2" Discharge	1.5	115	16.4	4.4	60	10.48"	522.36
<b>3420620-1A</b>	2" Intake - 2" Discharge	1.5	230	8.0	2.6	60	10.45"	522.36
<b>3420620-13</b>	2 ½" Intake - 2" Discharge	1.5	230	8.0	2.6	60	10.45"	522.36
<b>3420820-1A</b>	2" Intake - 2" Discharge	2.0	230	10.5	2.6	60	11.0"	553.47
<b>3420820-13</b>	2 ½" Intake - 2" Discharge	2.0	230	10.5	2.6	60	11.0"	553.47
<b>3421221-1A</b>	2" Intake - 2" Discharge	3.0	230	8.5	2.8	60	11.0"	572.73
<b>3421221-13</b>	2 ½" Intake - 2" Discharge	3.0	230	8.5	2.8	60	11.0"	572.73
<b>3421821-1A</b>	2" Intake - 2" Discharge	4.5	230	12.0	3.5	60	11.98"	645.68
<b>3421821-13</b>	2 ½" Intake - 2" Discharge	4.5	230	12.0	3.5	60	11.98"	645.68

### 1-Speed Executive 48-Frame Pumps

Part No.	Description	HP	Volts	Amps	Hz	Dimension "A"	List (US \$)
<b>3410410-1A</b>	2" Intake - 2" Discharge	1.0	115	12	60	9.23"	413.90
<b>3410610-1A</b>	2" Intake - 2" Discharge	1.5	115	17	60	9.78"	444.78
<b>3410830-1A</b>	2" Intake - 2" Discharge	2.0	115/230	20/10	60	10.98"	509.35
<b>3410830-13</b>	2 ½" Intake - 2" Discharge	2.0	115/230	20/10	60	10.98"	509.35
<b>3411621-1A</b>	2" Intake - 2" Discharge	4.0	230	12	60	11.18"	598.31
<b>3411621-13</b>	2 ½" Intake - 2" Discharge	4.0	230	12	60	11.18"	598.31



**EXECUTIVE WET END FEATURES:**

- High performance Executive wet end specifically designed for 56-frame motors
- Large 2" intake for improved flow performance and noise reduction
- Large 6" diameter wet end for higher head pressure
- Highly versatile wet end can be rotated every 90°

**VIPER WET END FEATURES:**

- Ultra high performance Viper wet end specifically designed for 56-frame motors
- Extra large 2 1/2" intake for improved flow performance and noise reduction
- Large 8" diameter wet end to move higher volumes of water at lower pressures
- Highly versatile wet end can be rotated every 90°

**MOTOR FEATURES:**

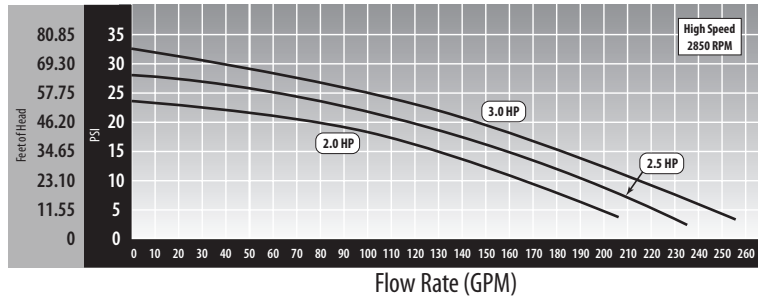
- Water repellent Italian made EMG motor
- 56-frame motor for added strength, cooler operating temperature and longer motor life
- Two double shielded ball bearings with moisture resistant grease for quieter operation and longer life
- Two-speed motors have four sets of insulated windings for increased efficiency
- Split capacitor, (start and run) for less energy consumption
- Thermally protected to extend life expectancy of motor
- IPX5 construction

**PUMP FEATURES:**

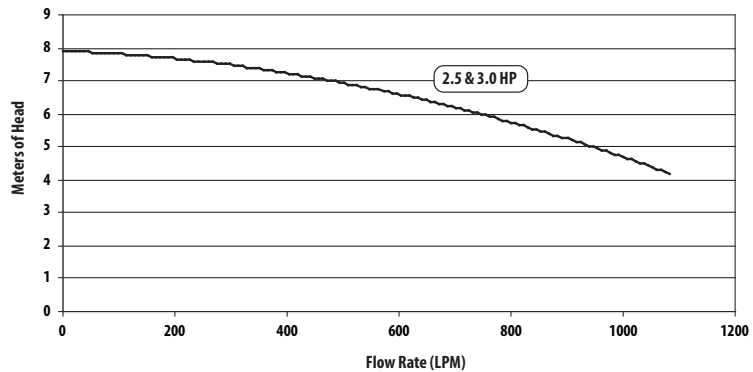
- TUV listed
- TUV J and J mini plug (optional)
- Viton seals
- Three year warranty



**PRESSURE VERSUS FLOW RATE**



**PRESSURE VERSUS FLOW RATE - VIPER EURO PERFORMANCE CHART**



**Executive Euro 50 Hz Pumps**

Part No.	Description	HP	Speed	Hz	Volts	Amps	List (US \$)
<b>3R10850-0D</b>	Executive Euro Pump	2 HP	1-Speed	50	230	8.7	550.91
<b>3R11250-0D</b>	Executive Euro Pump	3 HP	1-Speed	50	230	12.7	558.65
<b>3R20850-0D</b>	Executive Euro Pump	2 HP	2-Speed	50	230	9.3 / 1.8	610.47
<b>3R21050-0D</b>	Executive Euro Pump	2 1/2 HP	2-Speed	50	230	10.3 / 1.8	725.75

**Viper Euro 50 Hz Pumps**

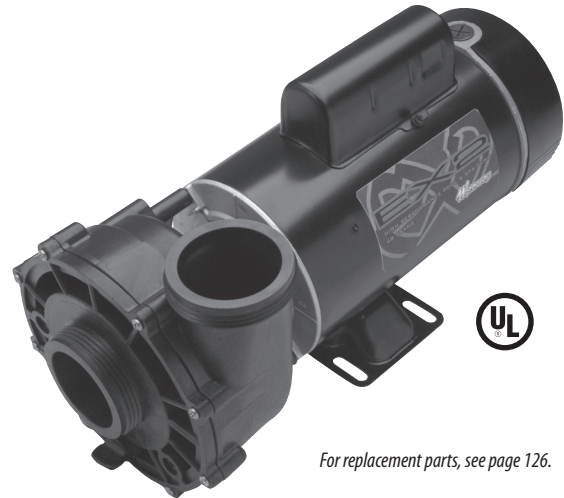
Part No.	Description	HP	Speed	Hz	Volts	Amps	List (US \$)
<b>3R11250-0V</b>	Viper Euro Pump	3 HP	1-Speed	50	230	12.3 / 12.8	575.81
<b>3R21050-0V</b>	Viper Euro Pump	2 1/2 HP	2-Speed	50	230	11.4	742.92



## Spa Pumps / EX 2

### FEATURES:

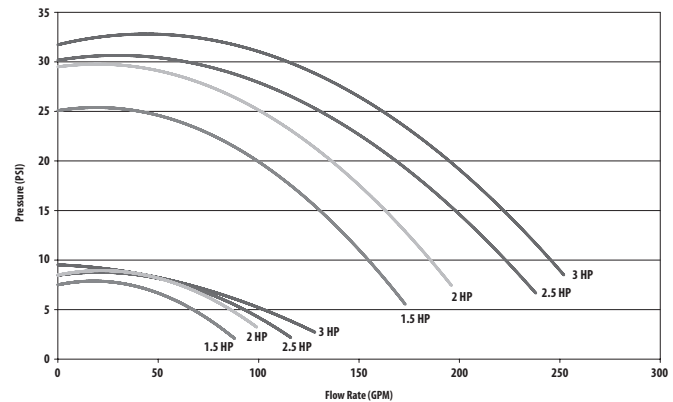
- True continuous rated horsepower of 1.5, 2.0, 2.5 and 3.0 HP
- 48-Frame or 56-Frame, Single or Dual Speed (energy saving)
- Use more jets per pump
- Same physical size as Aqua-Flo XP2, XP2e (fits within the same volume envelope)
- Can be used as substitute or retrofit to Aqua-Flo model XP2 or XP2e pumps and similar pumps and wet ends offered by other domestic and foreign suppliers
- Made in USA from highest quality materials with UL and CUL certifications
- CE and TUV certification on export pumps to ensure product performance for you and your customers
- Equipped with the highest quality Viton Seals
- Equipped with high efficiency electrical motors, custom designed for Spa applications



For replacement parts, see page 126.

Call for available cords and plugs.

EX2 Performance Chart



### 2-Speed EX 2 48-Frame Pumps

Part No.	Description	HP - Full	Volts	Amps High Speed	Amps Low Speed	Hz	List (US \$)
<b>3420610-1U</b>	2" Intake - 2" Discharge	1.5	115	16.4	4.4	60	522.36
<b>3420820-1U</b>	2" Intake - 2" Discharge	2	230	10.5	2.6	60	553.47
<b>3421021-1U</b>	2" Intake - 2" Discharge	2	230	9.0	2.8	60	508.10
<b>3421221-1U</b>	2" Intake - 2" Discharge	2	230	8.5	2.8	60	572.73
<b>3421020-1U</b>	2" Intake - 2" Discharge	2.5	230	11.0	3.3	60	593.76
<b>3421821-1U</b>	2" Intake - 2" Discharge	3	230	12.0	3.5	60	645.68

### 1-Speed EX 2 48-Frame Pumps

Part No.	Description	HP - Full	Volts	Amps	Hz	List (US \$)
<b>3410610-1U</b>	2" Intake - 2" Discharge	1.5	115	17.0	60	444.78
<b>3411020-1U</b>	2" Intake - 2" Discharge	2.5	230	10.0	60	595.98
<b>3411621-1U</b>	2" Intake - 2" Discharge	3.0	230	12.0	60	598.31

### 2-Speed EX 2 56-Frame Pumps

Part No.	Description	HP - Full	Volts	Amps High Speed	Amps Low Speed	Hz	List (US \$)
<b>3720821-1W</b>	2" Intake - 2" Discharge	2	230	8.0	3.0	60	556.40
<b>3721220-1W</b>	2" Intake - 2" Discharge	2.5	230	11.0	3.3	60	598.39
<b>3721621-1W</b>	2" Intake - 2" Discharge	3.0	230	12.0	4.4	60	648.12
<b>3M21621-1W</b>	2" Intake - 2" Discharge	3.0	230	12.0	4.4	60	648.12

### 1-Speed EX 2 56-Frame Pumps

Part No.	Description	HP - Full	Volts	Amps	Hz	List (US \$)
<b>3711621-1W</b>	2" Intake - 2" Discharge	3.0	230	12.0	60	616.72

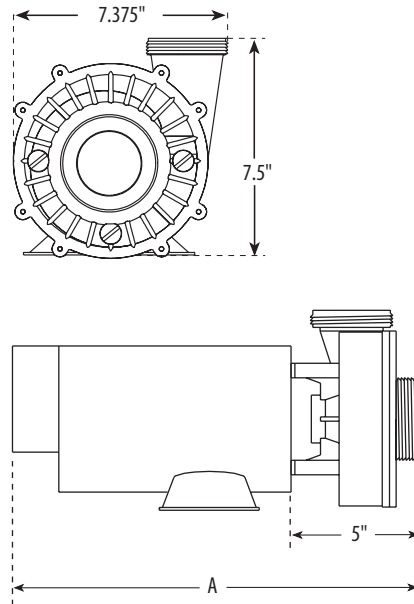
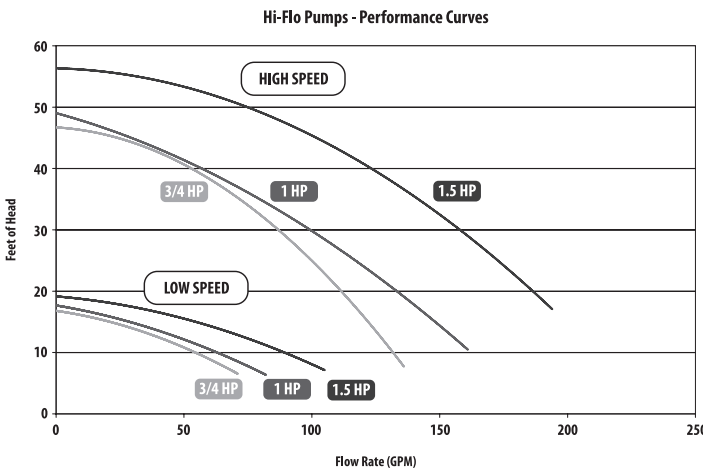


**FEATURES:**

- High volume side discharge efficiency
- 60% more efficient than our center discharge pumps
- 2" intake and discharge
- Wet end can be rotated for easy installation
- Available in 1 to 4 HP, 1 or 2 speed
- Large 6 1/2" diameter wet end for higher head pressure
- Viton Seals
- 18 month warranty



For replacement parts, see page 129.



**2-Speed Hi-Flo Side Discharge 48-Frame Pumps**

Part No.	HP	Volts	Amps High Speed	Amps Low Speed	Hz	Dimension "A"	List (US \$)
<b>3420410-10</b>	1.0	115	11.0	2.9	60	14.73"	478.37
<b>3420610-10</b>	1.5	115	16.4	4.4	60	15.48"	522.36
<b>3420620-10</b>	1.5	230	8.0	2.6	60	15.48"	522.36
<b>3420820-10</b>	2.0	230	10.5	2.6	60	16.00"	553.47
<b>3421221-10</b>	3.0	230	8.5	2.8	60	16.00"	572.73
<b>3421621-10</b>	4.0	230	12.0	3.5	60	16.98"	645.68

**1-Speed Hi-Flo Side Discharge 48-Frame Pumps**

Part No.	HP	Volts	Amps	Hz	Dimension "A"	List (US \$)
<b>3410410-10</b>	1.0	115	12.0	60	14.23"	413.90
<b>3410612-10</b>	1.5	115	17.0	60	14.78"	413.90
<b>3410830-10</b>	2.0	115/230	20-10	60	14.98"	509.35
<b>3411621-10</b>	4.0	230	12.0	60	15.18"	598.31

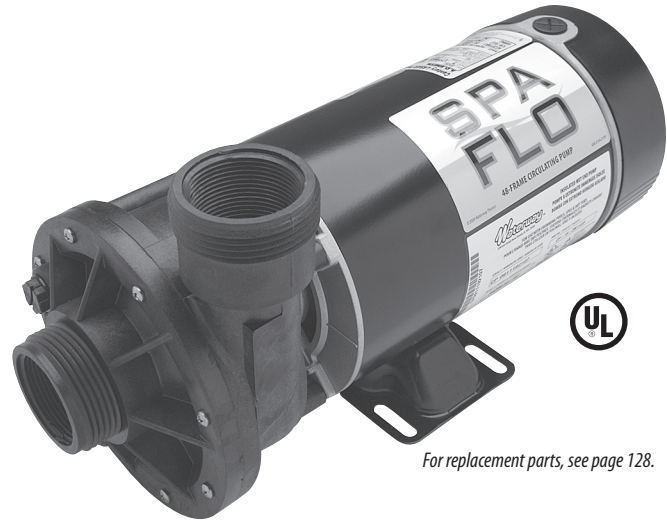




## Spa Pumps / Spa Flo - 48-Frame

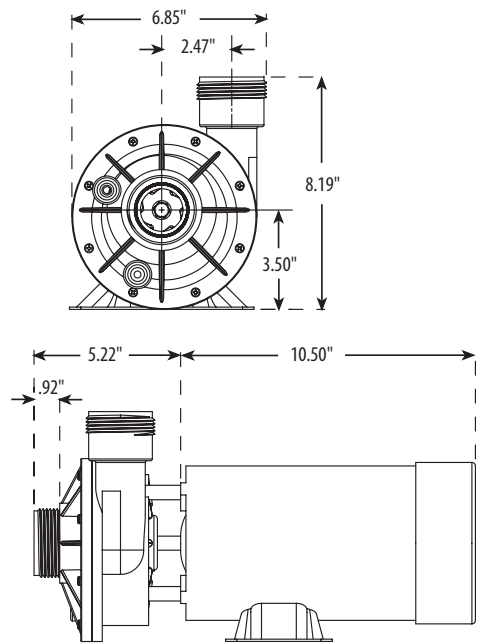
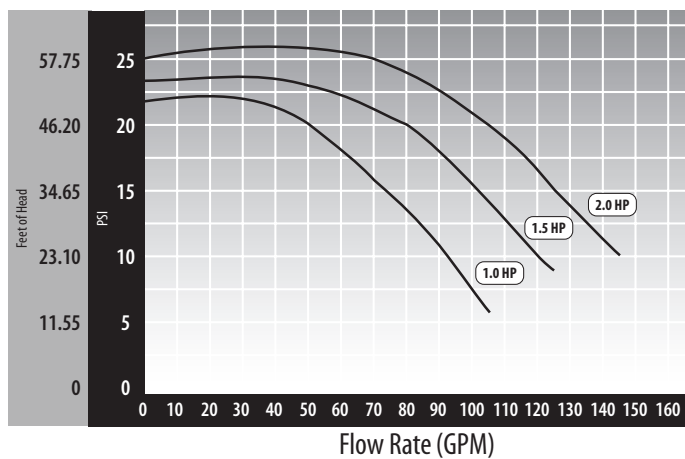
### FEATURES:

- 48-frame proven design
- Designed for direct replacement in most spas
- Viton seals
- 1 1/2" Intake and Discharge



For replacement parts, see page 128.

### PRESSURE VERSUS FLOW RATE



### 2-Speed Spa Flo 48-Frame Pumps

Part No.	HP	Volts	Hz	Case Quantity	List (US \$)
<b>3420410-OZ</b>	1	115	60	1	614.54
<b>3420610-OZ</b>	1 1/2	115	60	1	629.52
<b>3420820-OZ</b>	2	230	60	1	666.80

Sold without cords. Please call for available cords.

### 1-Speed Spa Flo 48-Frame Pumps

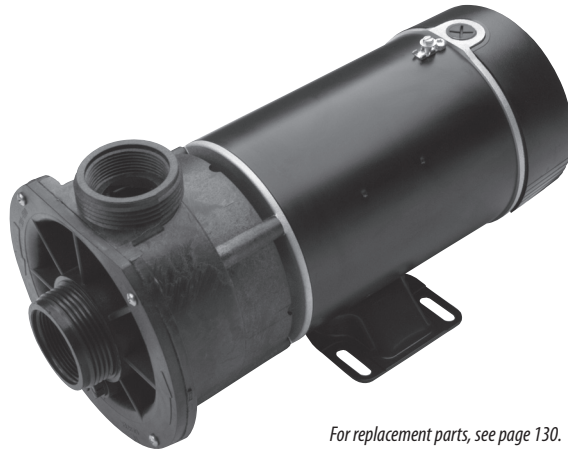
Part No.	HP	Volts	Hz	Case Quantity	List (US \$)
<b>3410410-OZ</b>	1	115	60	1	487.12
<b>3410610-OZ</b>	1 1/2	115	60	--	577.06
<b>3410830-OZ</b>	2	115 / 230	60	1	614.54

Sold without cords. Please call for available cords.

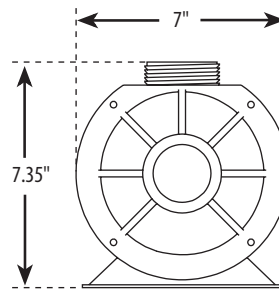


**FEATURES:**

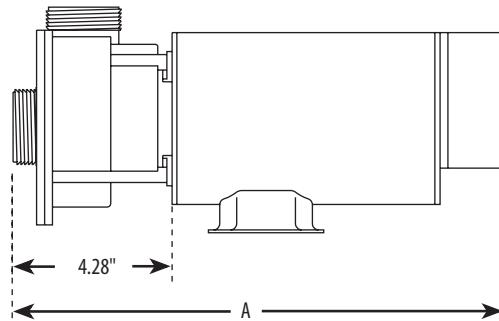
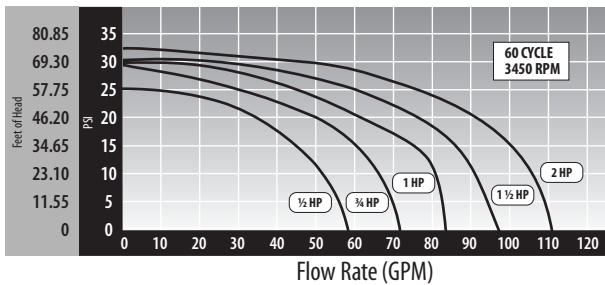
- Reliable center discharge performance
- 1 1/2" intake and discharge
- Wet end can be rotated for easy installation
- Available in 3/4 to 2 HP, 1 or 2 speed
- Viton Seals
- 18 month warranty



For replacement parts, see page 130.



**PRESSURE VERSUS FLOW RATE**



**2-Speed Center Discharge Spa Pumps**

Part No.	HP	Volts	Amps High Speed	Amps Low Speed	Hz	Dimension "A"	List (US \$)
<b>3420310-15</b>	3/4	115	8.8	2.6	60	15.00"	456.99
<b>3420410-15</b>	1.0	115	11.0	2.9	60	15.00"	478.37
<b>3420610-15</b>	1.5	115	16.4	4.4	60	15.75"	522.36
<b>3420620-15</b>	1.5	230	8.0	2.6	60	15.73"	522.36
<b>3420820-15</b>	2.0	230	10.5	2.6	60	16.28"	553.47

**1-Speed Center Discharge Spa Pumps**

Part No.	HP	Volts	Amps	Hz	Dimension "A"	List (US \$)
<b>3410310-15</b>	3/4	115	9.8	60	14.00"	395.68
<b>3410410-15</b>	1.0	115	12.0	60	14.50"	413.40
<b>3410610-15</b>	1.5	115	17.0	60	15.05"	444.78
<b>3410830-15</b>	2.0	115/230	20-10	60	16.26"	509.35



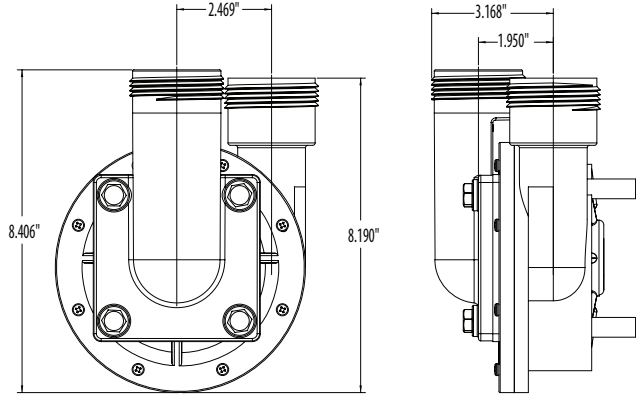
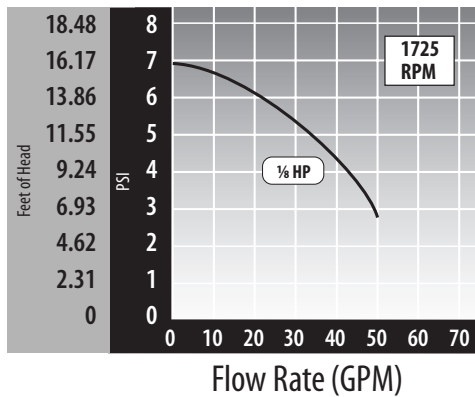


**FEATURES:**

- Universal Input Volute  
(Can be rotated to 12:00,3:00,6:00, or 9:00 positions)
- 24-hour circulation
- 48-Frame proven design
- Side Discharge for optimum performance
- 1/8 HP
- Low power usage (0.8/1.6 amps)
- Viton seals
- 1 1/2" Union In/Out
- One year limited warranty



**PRESSURE VERSUS FLOW RATE**



**Uni-Might Pumps**

Part No.	Description	HP	Volts	Amps	Hz	List (US \$)
<b>3410030-0X</b>	Uni-Might Pump	1/8	115	1.6	50/60	314.18
<b>3410020-0X</b>	Uni-Might Pump	1/8	230	0.8	50/60	314.18



**Uni-Might Wet End**

Part No.	Description	Rating	List (US \$)
<b>310-5070</b>	Uni-Might Wet End	1/8	95.39



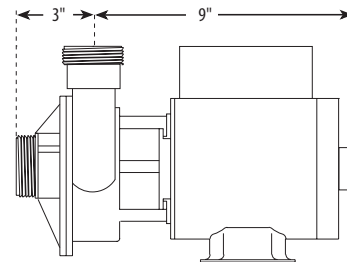
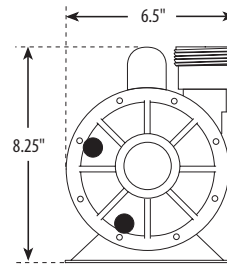
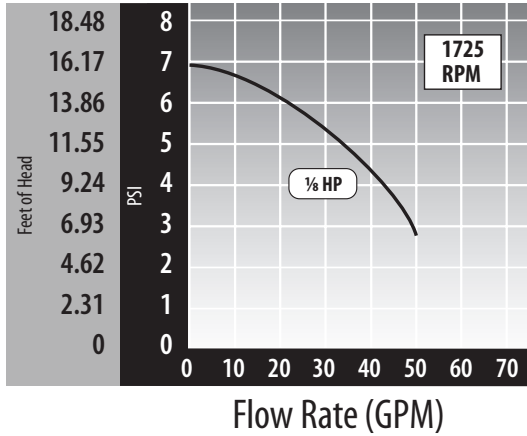
**FEATURES:**

- 24-hour circulation
- 48-frame proven design
- Side discharge for optimum flow
- Multiple union assemblies available
- Delivers 40 GPM
- 1/8 HP
- Only 1.3 Amps
- Viton seals
- 1 1/2" Intake and Discharge
- One year warranty



For replacement parts, see page 128.

**PRESSURE VERSUS FLOW RATE**



**Iron Might 1-Speed 48-Frame Circulating Pumps**

Part No.	HP	Volts	Hz	Case Quantity	List (US \$)
<b>3410020-1E</b>	1/8	230	60	1	317.43
<b>3410030-1E</b>	1/8	115	60	1	317.43

**Leaf Trap (sold separately)**

Part No.	Description	Case Quantity	List (US \$)
<b>310-5400</b>	Leaf Trap – 1 1/2" Union x 1 1/2" FPT	5	74.47



3410030-1E77

**Pond Pump - Iron Might with Trap**

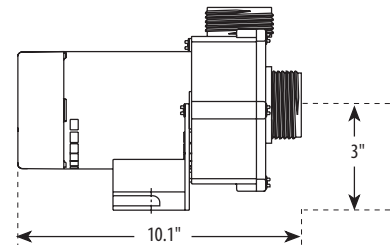
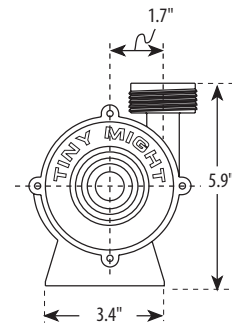
Part No.	Description	List (US \$)
<b>3410030-1E77</b>	1/8 HP - 115V - 6 ft. NEMA Cord	402.09



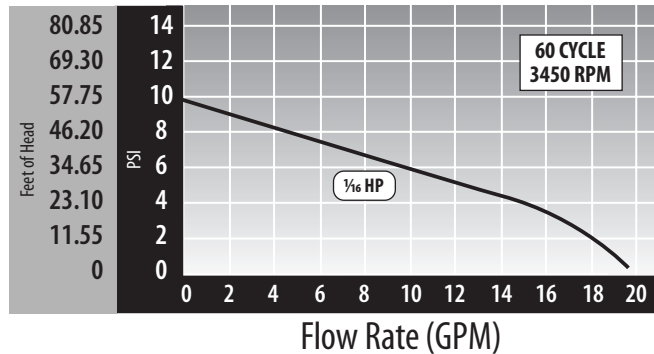
## Spa Pumps / Tiny Might

### FEATURES:

- High volume side discharge efficiency
- 60% more efficient than our center discharge pumps
- Side discharge for optimum flow
- 1" union or 1" barb
- Wet end can be rotated for easy installation
- 1/16 HP
- Large 6 1/2" diameter wet end for higher head pressure
- One year warranty



### PRESSURE VERSUS FLOW RATE



### Tiny Might Circulating Pumps

Part No.	Description	HP	Volts	Amps	Hz	List (US \$)
<b>3312610-14</b>	1" Union x 1" Union	1/16	115	0.8	60	295.88
<b>3312620-14</b>	1" Union x 1" Union	1/16	230	0.4	50/60	295.88
<b>3312610-19</b>	1" Barb x 1" Barb	1/16	115	0.8	60	295.88
<b>3312620-19</b>	1" Barb x 1" Barb	1/16	230	0.4	50/60	295.88



310-0700

**Spa Flo Wet Ends**

Part No.	Rating	Case Quantity	List (US \$)
<b>310-0700</b>	1 HP	--	87.75
<b>310-0800</b>	1 ½ HP	15	87.75
<b>310-0810</b>	2 HP	15	87.75



310-0140

**2 ½" Viper Wet Ends**

Part No.	Motor	Rating	Case Quantity	List (US \$)
<b>310-0140</b>	56-Frame	4 HP	8	105.42

**EX2 Wet Ends**

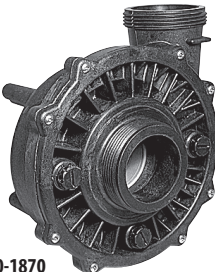
Part No.	Motor	Rating	Case Qty.	List (US \$)	Part No.	Motor	Rating	Case Qty.	List (US \$)
<b>310-2450</b>	48-Frame	1 ½ HP	8	105.42	<b>310-2360</b>	56-Frame	1 ½ HP	15	105.42
<b>310-2460</b>	48-Frame	2 HP	8	105.42	<b>310-2370</b>	56-Frame	2 HP	15	105.42
<b>310-2480</b>	48-Frame	3 HP	8	105.42	<b>310-2380</b>	56-Frame	3 HP	15	105.42
					<b>310-2390</b>	56-Frame	2 ½ HP	15	105.42



310-2360

**2" Executive Wet Ends**

Part No.	Motor	Rating	Case Qty.	List (US \$)	Part No.	Motor	Rating	Case Qty.	List (US \$)
<b>310-1870</b>	48-Frame	1 HP	8	105.42	<b>310-1710</b>	56-Frame	1 HP	8	105.42
<b>310-1880</b>	48-Frame	1 ½ HP	8	105.42	<b>310-1720</b>	56-Frame	2 HP	8	105.42
<b>310-1890</b>	48-Frame	2 HP	8	105.42	<b>310-1730</b>	56-Frame	3 HP	8	105.42
<b>310-1900</b>	48-Frame	3 HP	8	105.42	<b>310-1740</b>	56-Frame	4 HP	8	105.42
<b>310-1910</b>	48-Frame	4 HP	8	105.42	<b>310-1750</b>	56-Frame	5 HP	8	105.42
<b>310-1920</b>	48-Frame	4 ½ HP	8	105.42					
<b>310-1930</b>	48-Frame	5 HP	8	105.42					



310-1870

**2 ½" Executive Wet Ends**

Part No.	Motor	Rating	Case Qty.	List (US \$)	Part No.	Motor	Rating	Case Qty.	List (US \$)
<b>310-1800</b>	48-Frame	1 HP	8	105.42	<b>310-1460</b>	56-Frame	1 HP	8	105.42
<b>310-1810</b>	48-Frame	1 ½ HP	8	105.42	<b>310-1480</b>	56-Frame	2 HP	8	105.42
<b>310-1820</b>	48-Frame	2 HP	8	105.42	<b>310-1500</b>	56-Frame	3 HP	8	105.42
<b>310-1840</b>	48-Frame	3 HP	8	105.42	<b>310-1440</b>	56-Frame	4 HP	8	105.42
<b>310-1860</b>	48-Frame	4 HP	8	105.42	<b>310-1510</b>	56-Frame	5 HP	8	105.42
<b>310-1850</b>	48-Frame	4 ½ HP	8	105.42					
<b>310-1830</b>	48-Frame	5 HP	8	105.42					



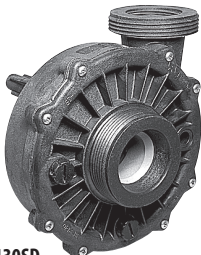
310-1800

**2" Hi-Flo Side Discharge Wet Ends**

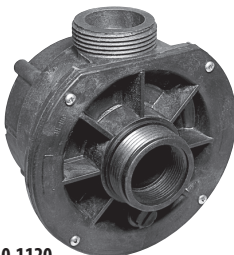
Part No.	Rating	Case Qty.	List (US \$)
<b>310-1130SD</b>	1 HP	15	105.42
<b>310-1140SD</b>	1 ½ HP	15	105.42
<b>310-1141SD</b>	2 HP	15	105.42
<b>310-1150SD</b>	3 HP	15	105.42
<b>310-1160SD</b>	4 HP	15	105.42

**1 ½" Center Discharge Wet Ends**

Part No.	Rating	Case Qty.	List (US \$)
<b>310-1120</b>	¾ HP	12	101.36
<b>310-1130</b>	1 HP	12	101.36
<b>310-1140</b>	1 ½ HP	12	101.36
<b>310-1141</b>	2 HP	12	101...36



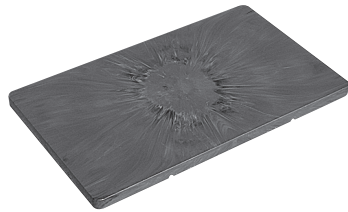
310-1130SD



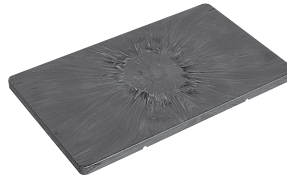
310-1120



## Spa Pumps / Equipment Bases



672-1000



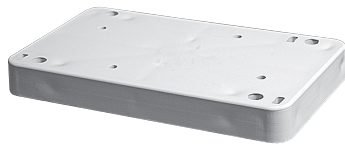
672-1010



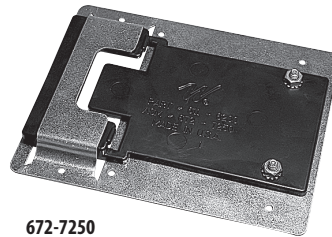
672-1060

### Equipment Bases

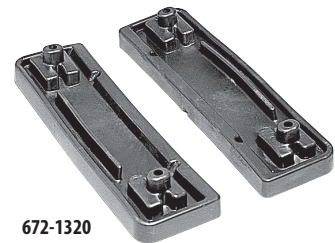
Part No.	Description	Case Quantity	List (US \$)
<b>672-1000</b>	1" x 15 1/4" x 26 1/4"	100	35.23
<b>672-1010</b>	1" x 14 1/2" x 15"	200	28.92
<b>672-1060</b>	1" x 8 1/2" x 15 1/2"	16	13.86



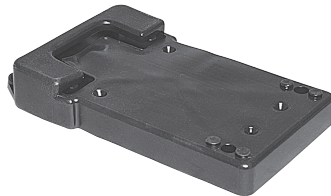
672-1030



672-7250



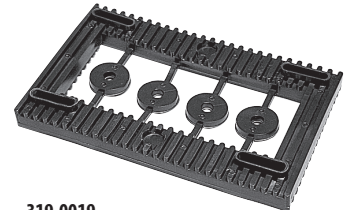
672-1320



672-1100



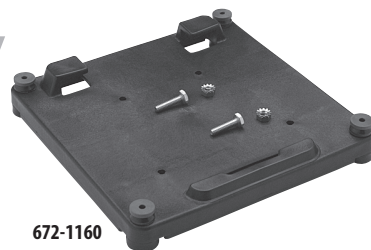
672-1020



319-0019

### 48-Frame Motor Bases

Part No.	Description	Case Quantity	List (US \$)
<b>672-1030</b>	1/2" Thick Base	170	8.80
<b>672-7250</b>	Metal Pump Base Assembly - 7 1/2" x 5 5/16"	25	13.00
<b>672-1320</b>	Rubber EMG Euro Motor Base (sold as a pair)	80	3.84
<b>672-1100</b>	3/4" Thick Base with Tabs - PVC Flex	100	13.72
<b>672-1020</b>	3/4" Thick Base	170	11.32
<b>672-1080</b>	3/4" Thick Base - PVC Flex	50	11.32
<b>319-0019</b>	Self-Aligning Rubber Motor Base	100	5.13



672-1160

#### FEATURES:

- Fits most domestic and European pump motors (One size fits all!)
- Rubber isolation boots – isolate motor vibration
- EZ front load lock system – allows for easy installation and servicing
- Made of durable impact resistant Polypropylene material

### Universal Floating 9" x 9" Pump Base

Part No.	Description	Case Quantity	List (US \$)
<b>672-1160</b>	Universal Floating 9" x 9" Pump Base Assembly	25	13.00