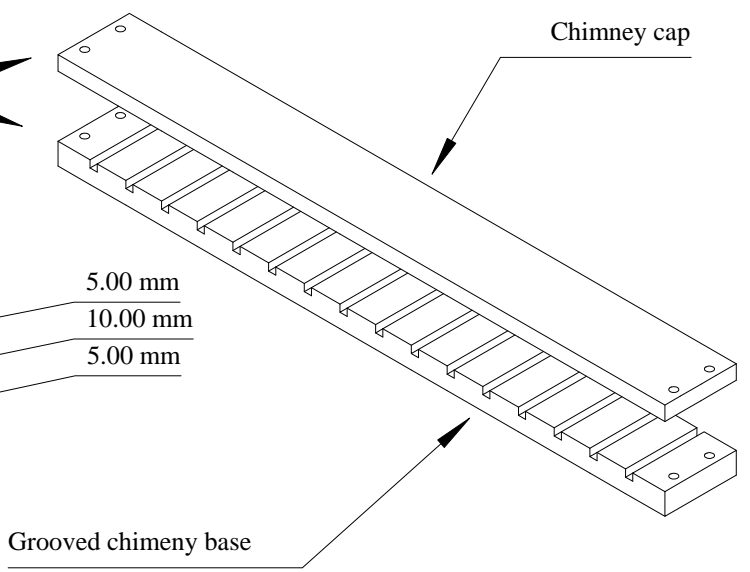
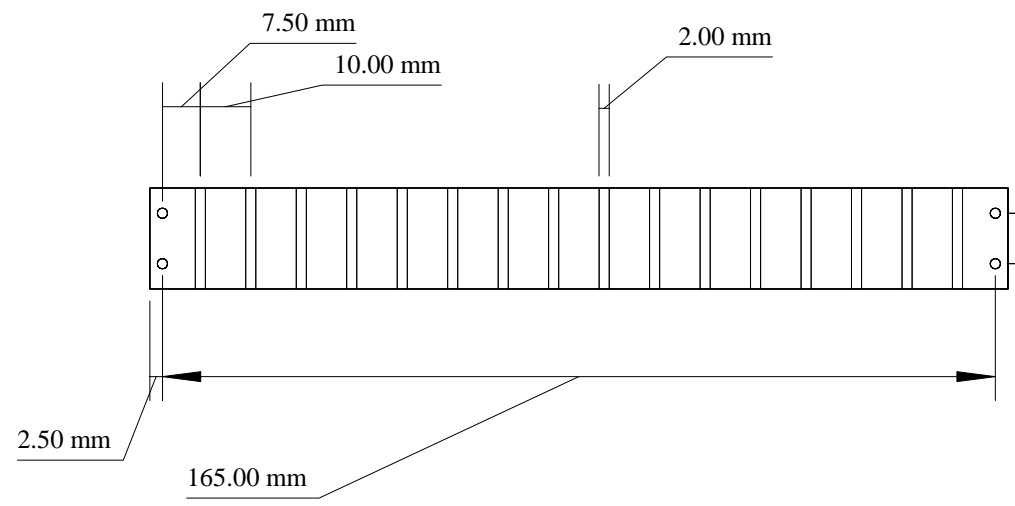


One "pair" of components



AUTHOR		P.I.	
Brendan Krueger		Richard Jones	
TITLE			
Waveguide Chimney for Tagger Microscope Sensor Card			
SIZE	JOB NUMBER	DWG NO	REV
A			
SCALE	1 in = 38 mm	SHEET	QUANTITY
			34 pairs

