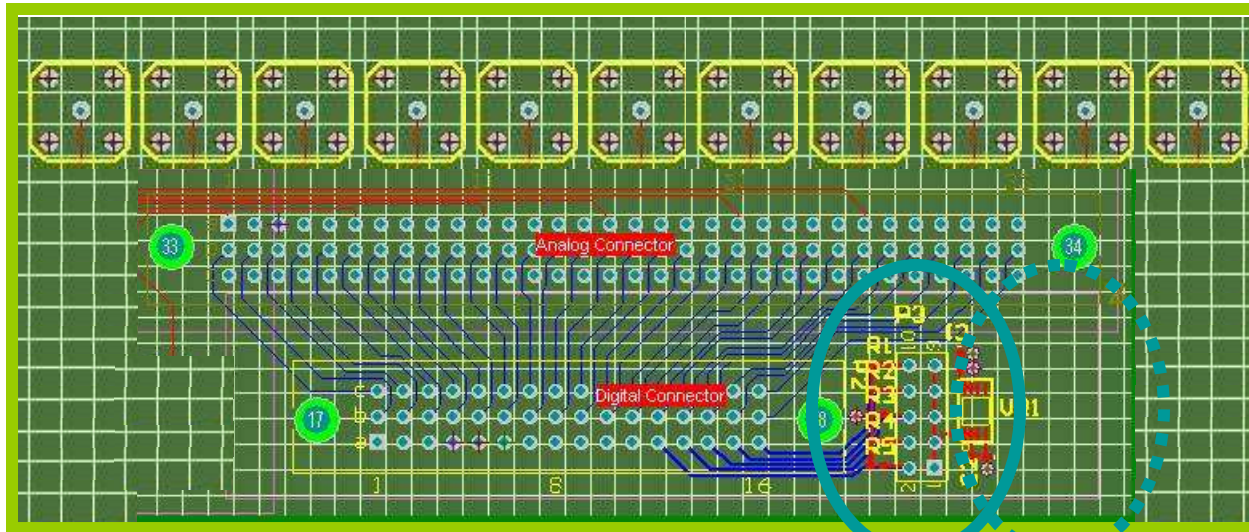


- suggestions:
1. make the board slightly wider and shorter
 2. put all of the LEMO connectors in a line
 3. get rid of the long parallel signal traces
 4. get rid of the card overhangs



original layout concept

move this slightly right

