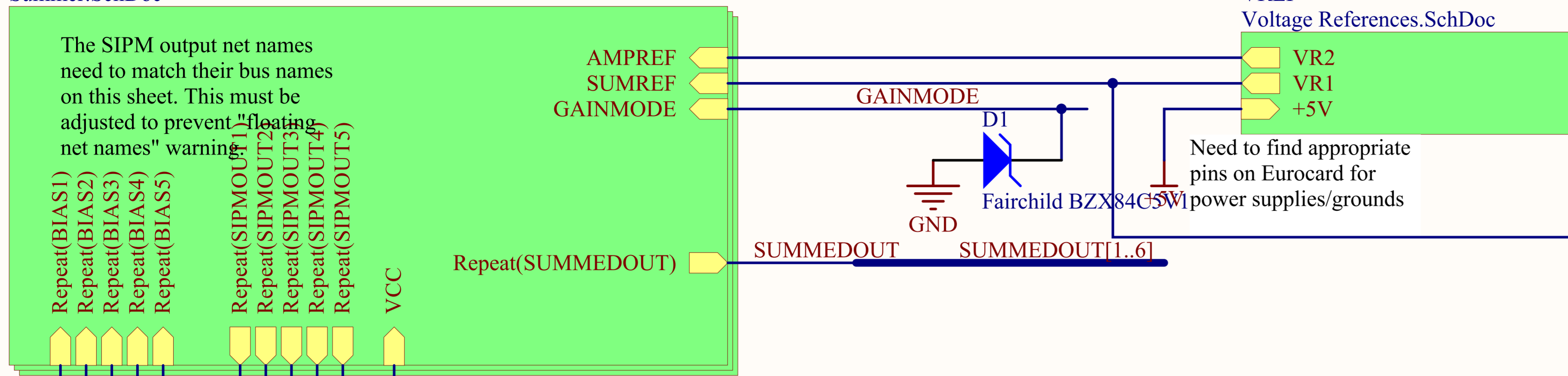


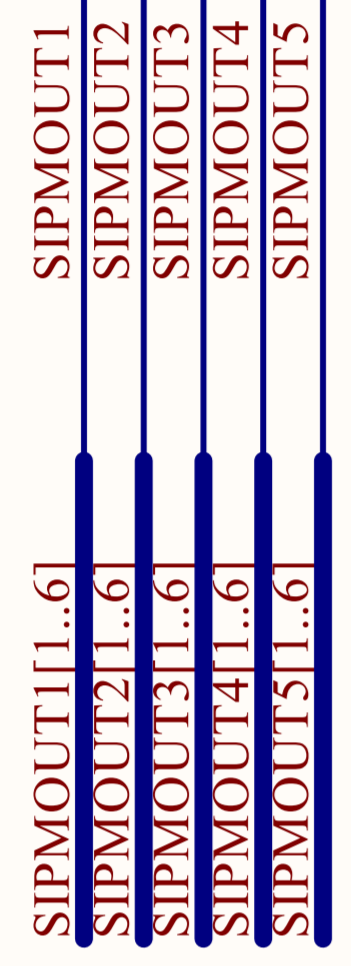
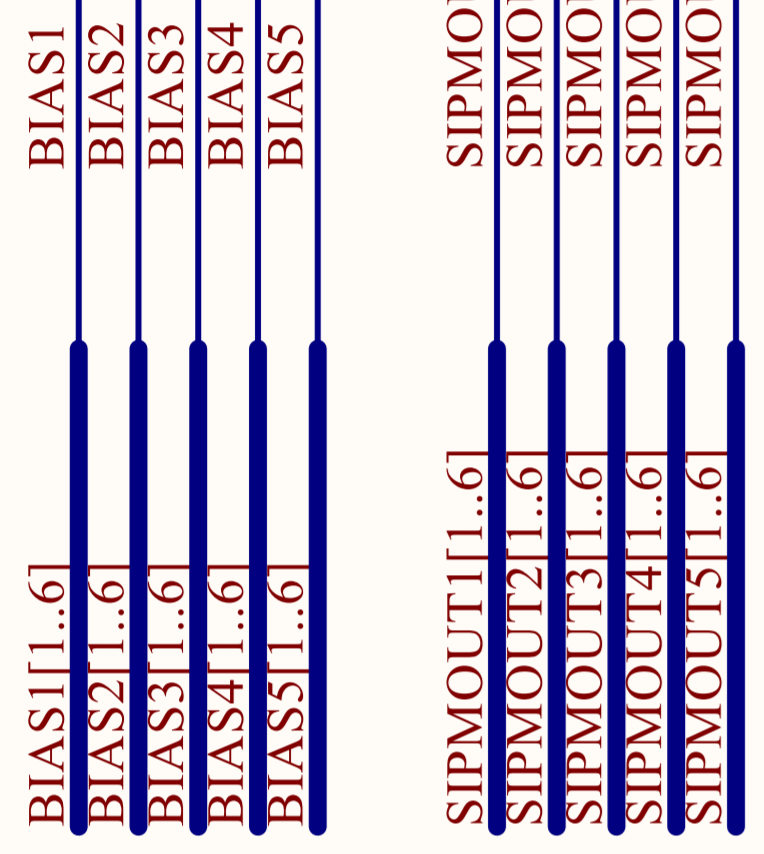
Repeat(SUMMER,1,6)  
Summer.SchDoc

The SIPM output net names need to match their bus names on this sheet. This must be adjusted to prevent "floating net names" warning



VREF  
Voltage References.SchDoc

Need to find appropriate pins on Eurocard for power supplies/grounds



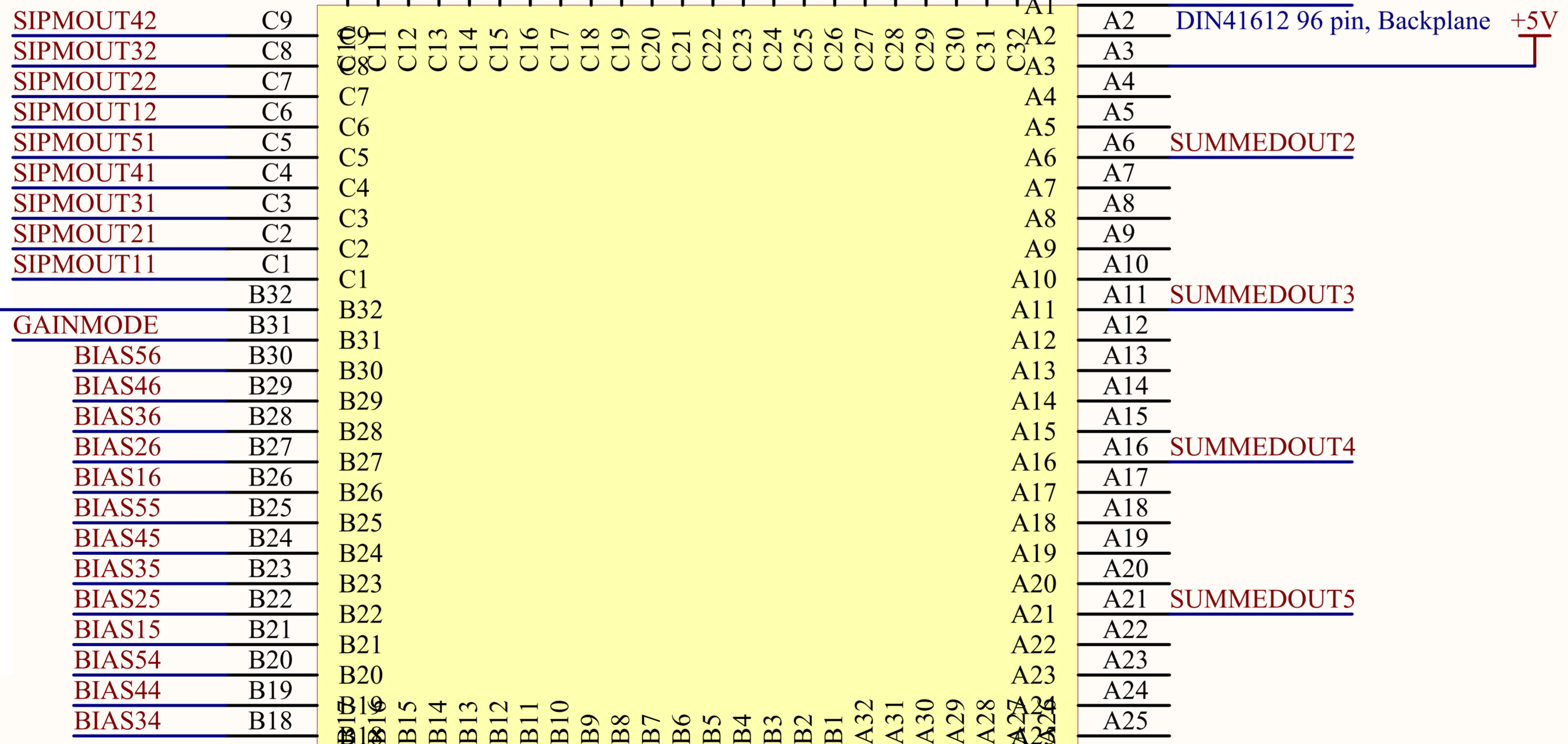
VCC

Individual signal outputs from these logical busses are not explicitly shown but are indicated by net names on the pins of the Eurocard symbol.

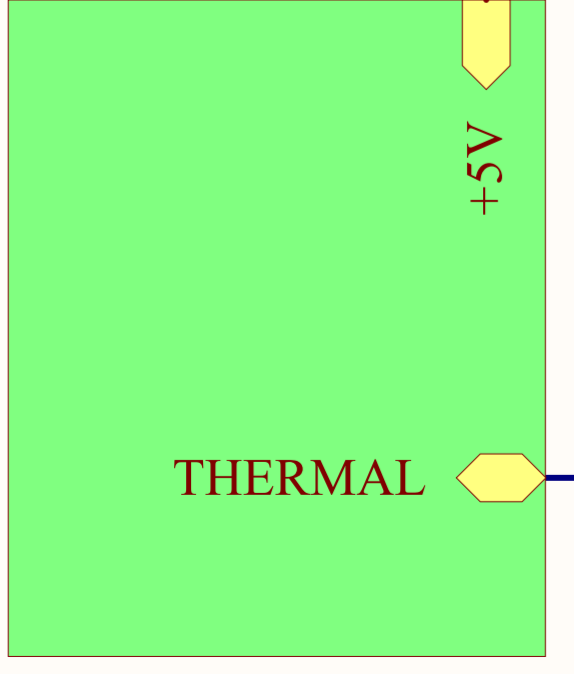
Naming convention for repeated nets is signal name, sipm number, summer number concatenated with no delimiters

Ex: output of AMP24 is SIPMOUT45

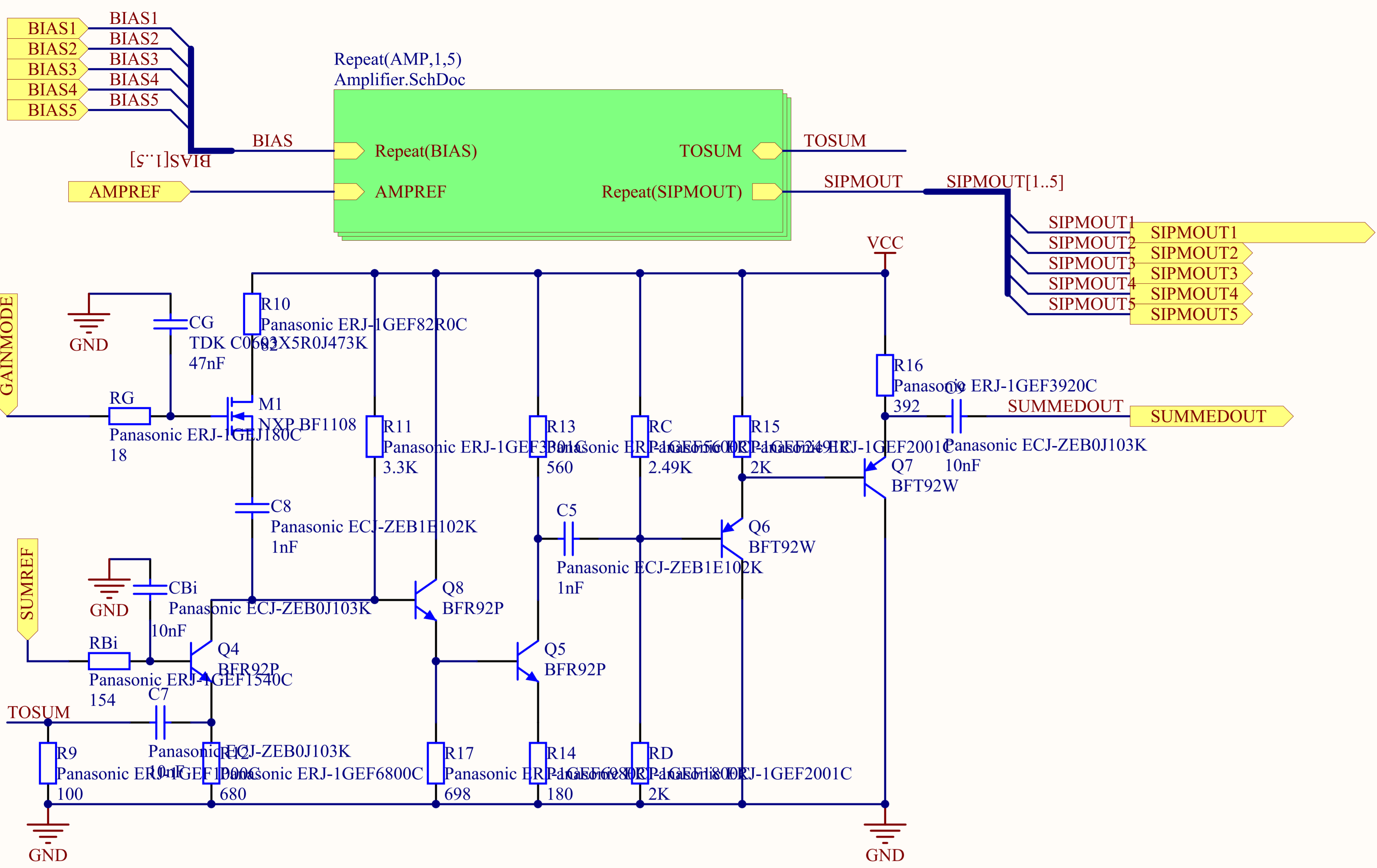
These translate into nicely understood net names on the PCB. Output of AMP24 on the PCB is SIPMOUT4\_SUMMER5



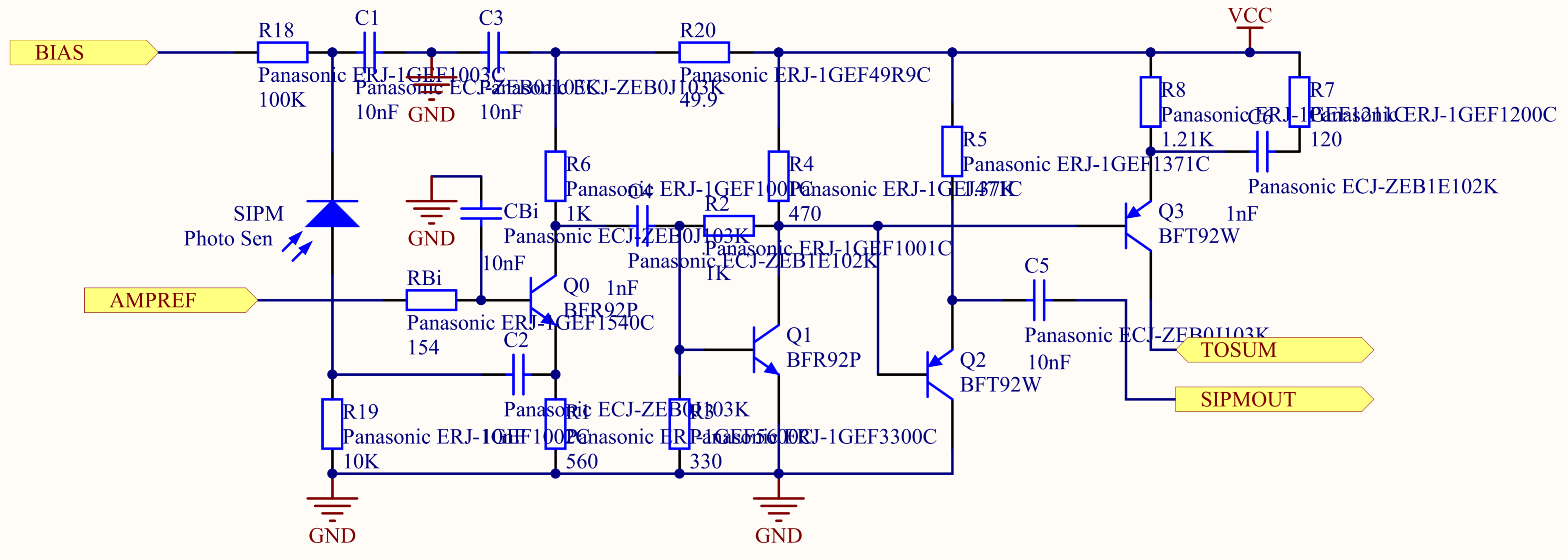
THERMAL  
Thermistor.SchDoc



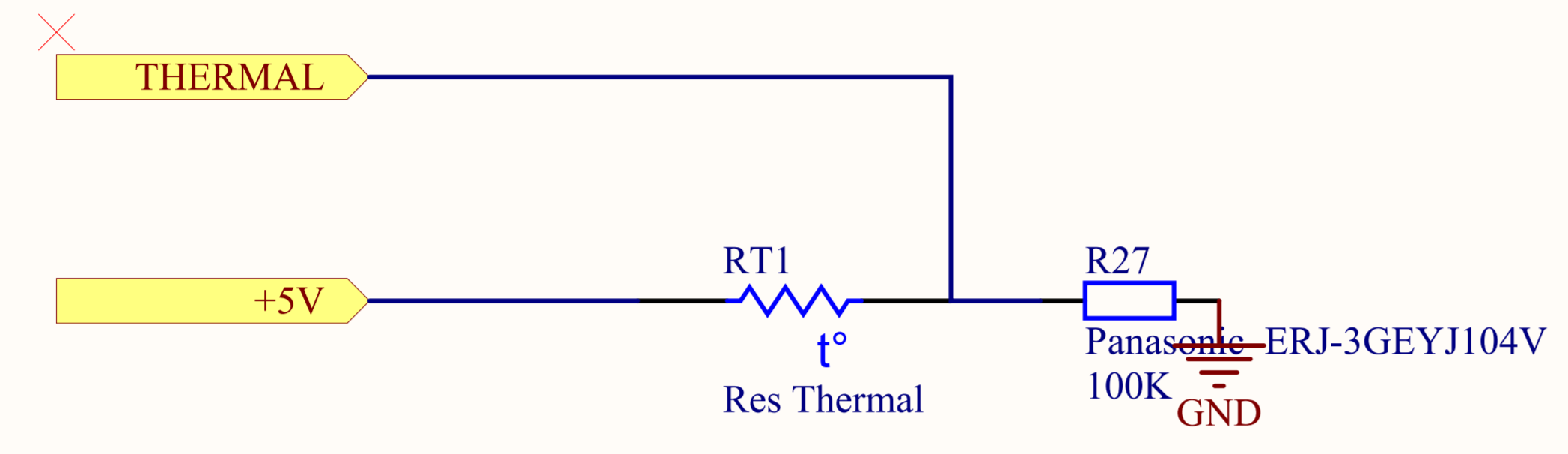
Title		
Size	Number	Revision
A		
Date:	5/15/2010	Sheet of
File:	C:\Documents and Settings\...\Main.SchDoc	Drawn By:



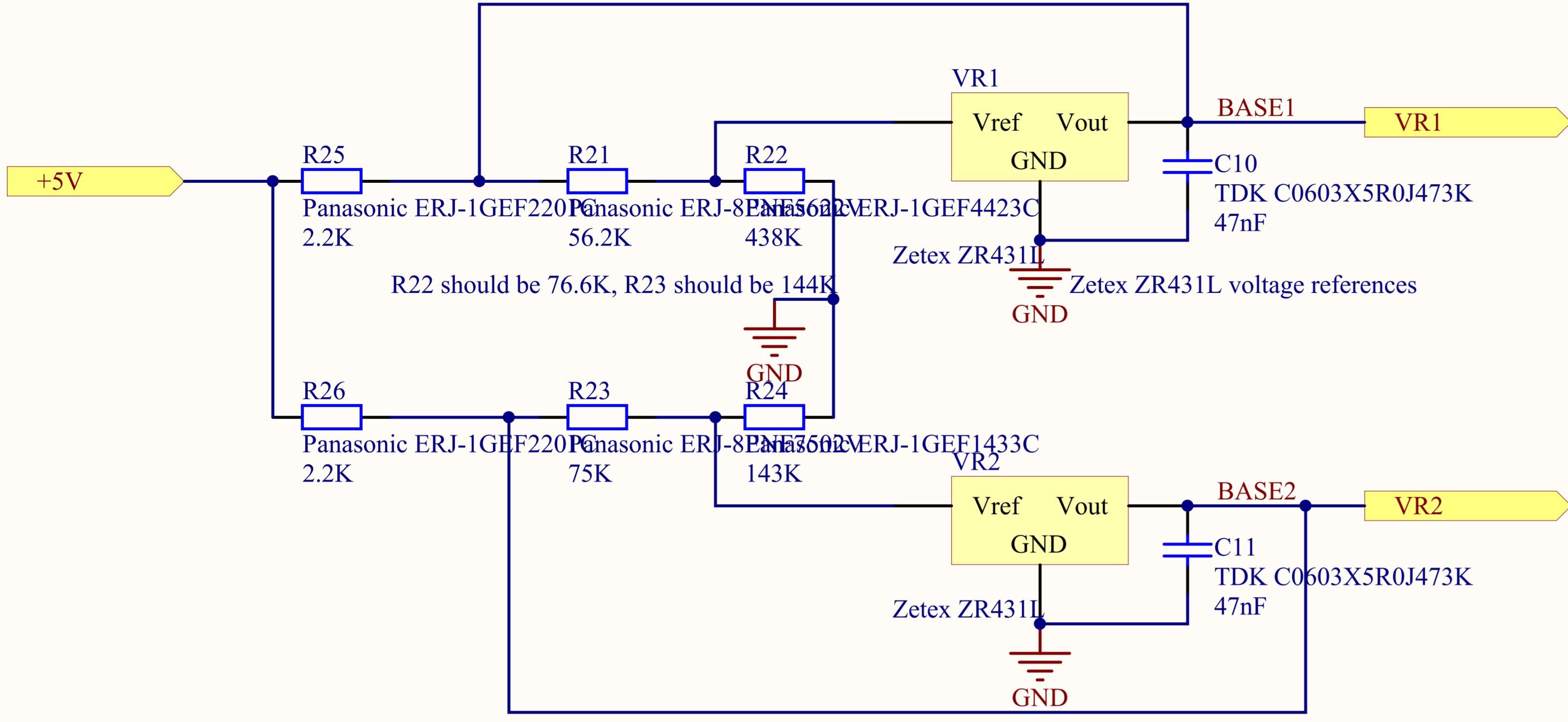
Title		
Size	Number	Revision
A		
Date:	5/15/2010	Sheet of
File:	C:\Documents and Settings\...\Summer.SchDoc	Drawn By:



Title		
Size	Number	Revision
A		
Date:	5/15/2010	Sheet of
File:	C:\Documents and Settings\...\Amplifier.SchDoc	Drawn By:



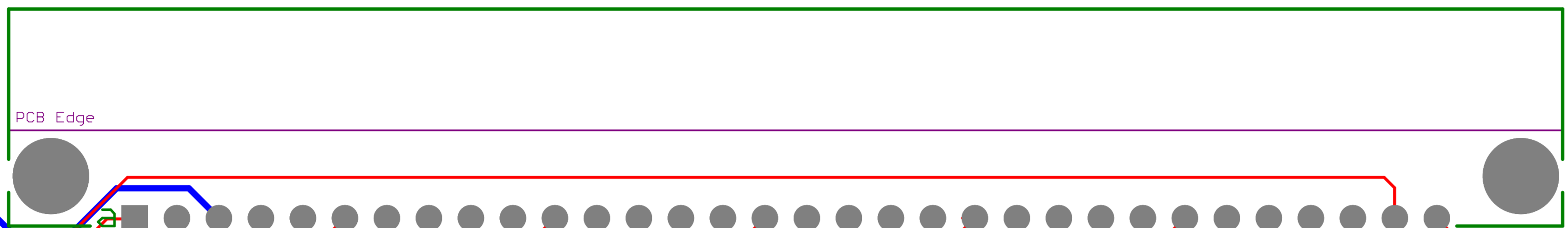
Title		
Size	Number	Revision
A		
Date:	5/15/2010	Sheet of
File:	C:\Documents and Settings\...\Thermistor.SchDoc	Drawn By:



**TODO: Find resistor values for R25, R26, DOUBLE CHECK R23, R21**

Title		
Size	Number	Revision
A		
Date:	5/15/2010	Sheet of
File:	C:\Documents and Settings\...\Voltage Reference	Drawn By

P1



SiPM Amplifier Board  
Version 1.0  
Designed by UCONN Jones Lab  
For USDOE GlueX Experiment  
Thomas Jefferson Nat'l Lab  
Neuport News, VA

