

A

A

B

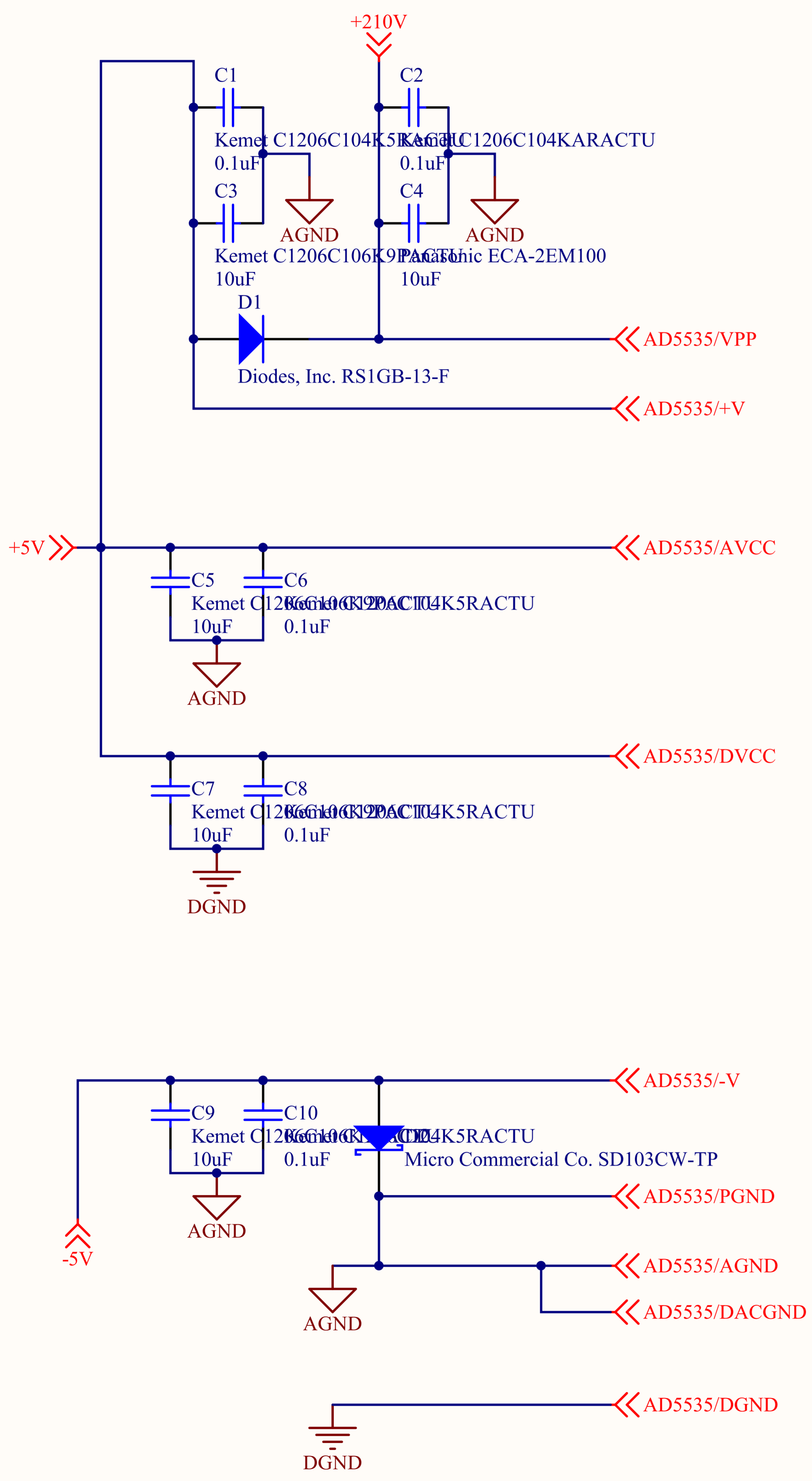
B

C

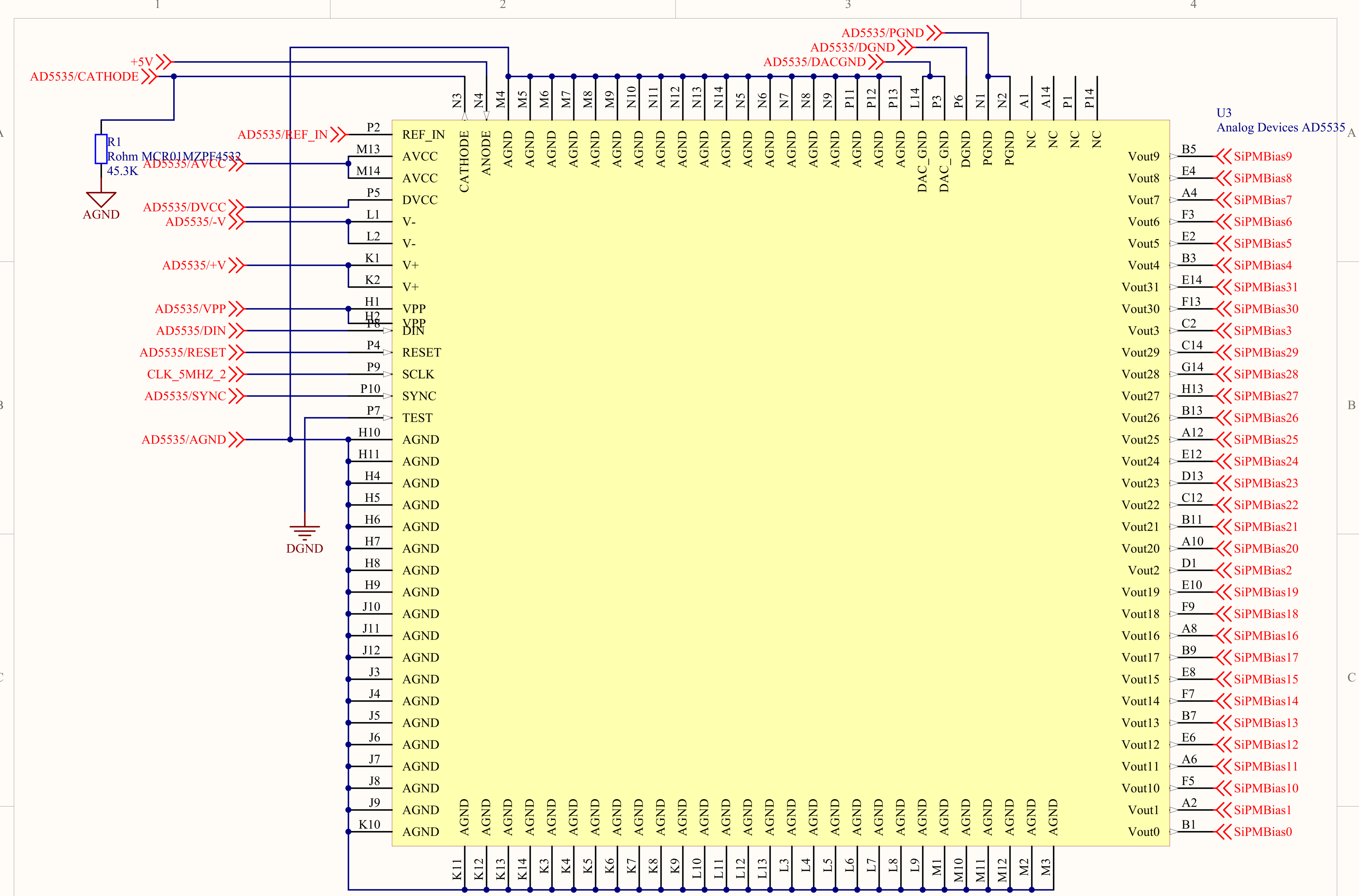
C

D

D

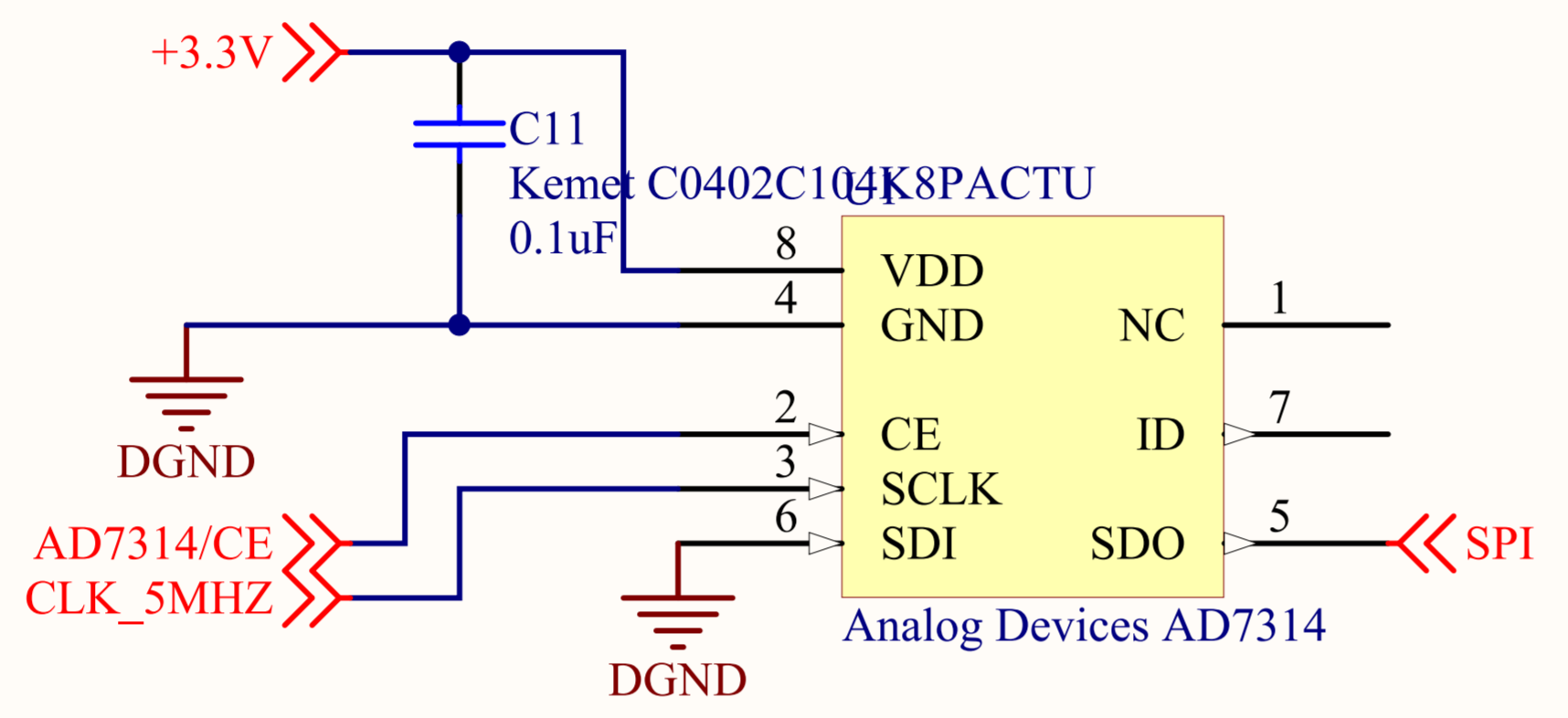


Title		
Size	Number	Revision
A		
Date:	1/26/2009	Sheet of
File:	C:\Documents and Settings\...AD5535 Power Regulators.SchDoc	

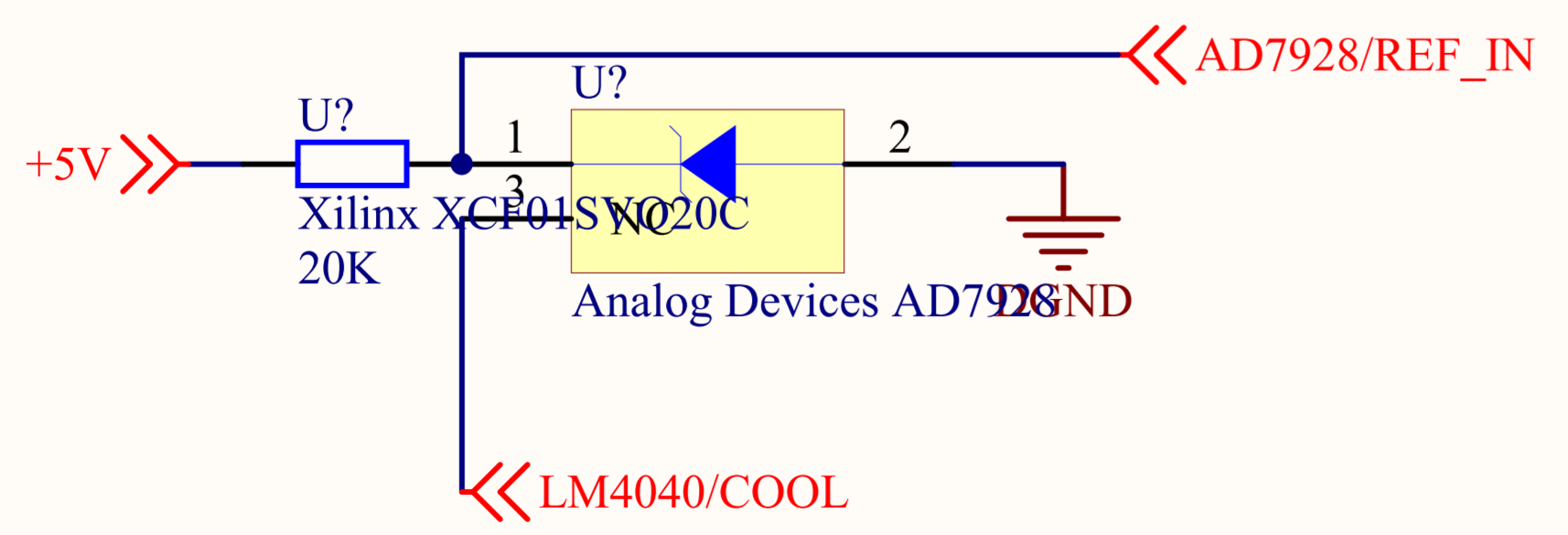
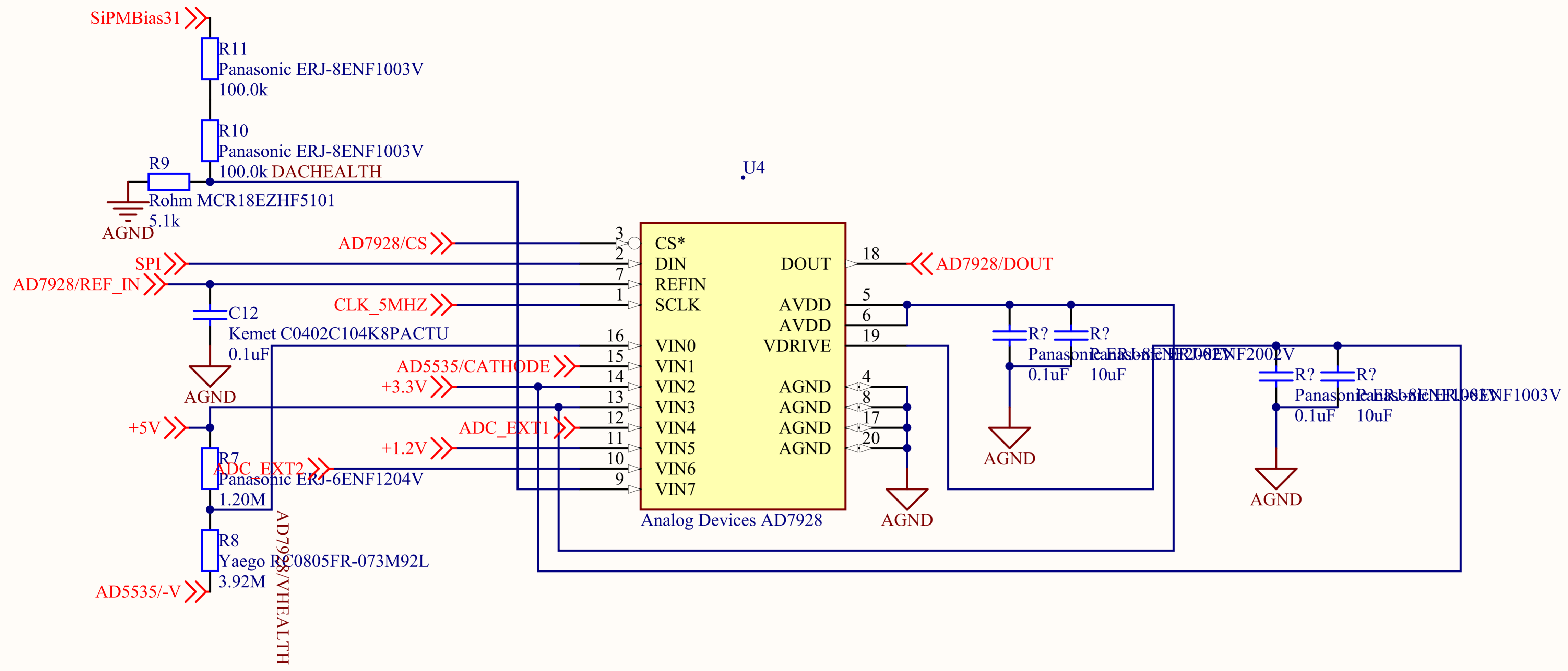


U3  
Analog Devices AD5535

Title		
Size	Number	Revision
A		
Date:	1/26/2009	Sheet of
File:	C:\Documents and Settings\...\AD5535.Sch	Drawn By:

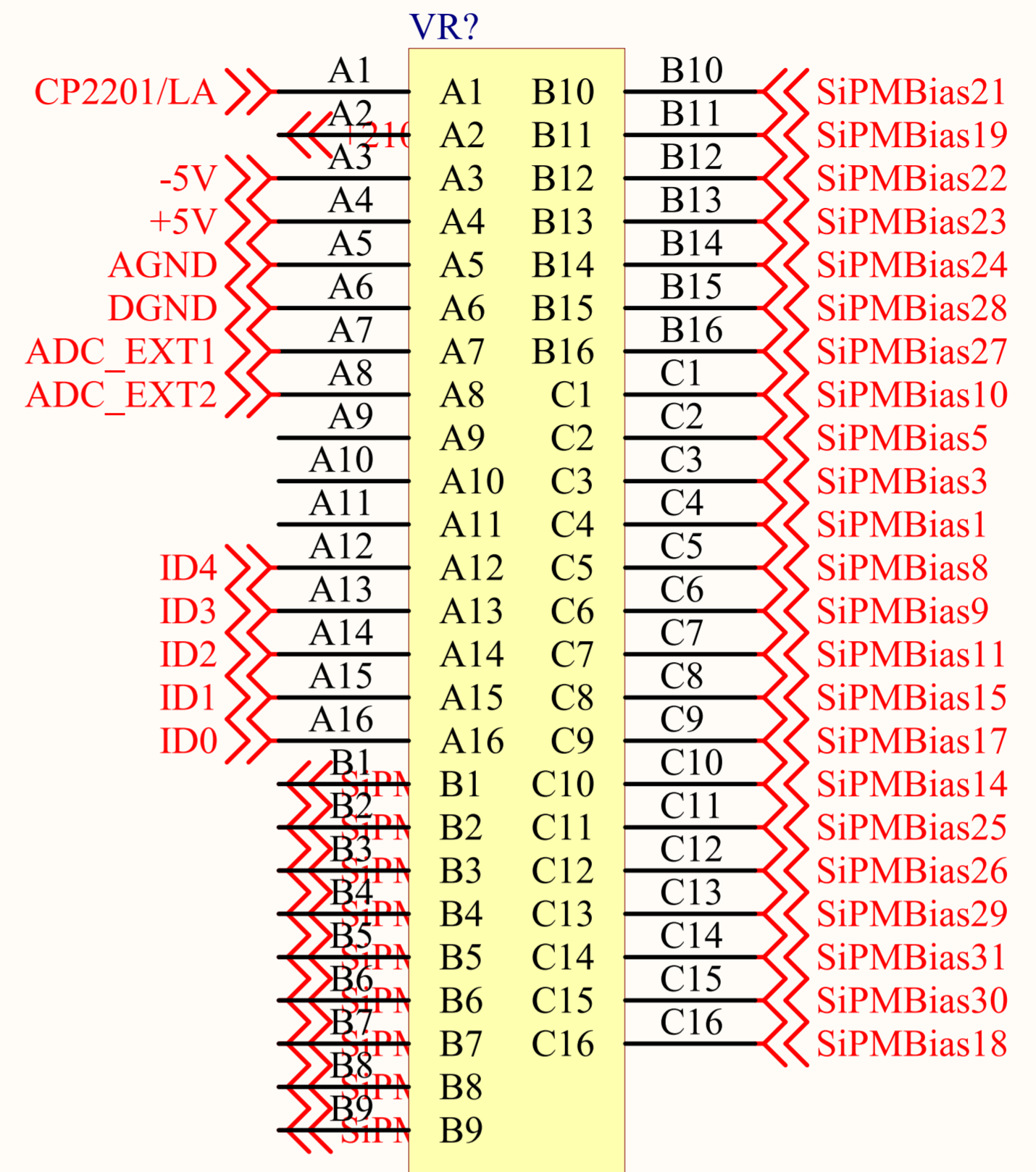


Title		
Size	Number	Revision
A		
Date:	1/26/2009	Sheet of
File:	C:\Documents and Settings\...\AD7314.SchDoc	Drawn By:



Title		
Size	Number	Revision
A		
Date:	1/26/2009	Sheet of
File:	C:\Documents and Settings\...\AD7928.SchDoc	Drawn By:

ID5 >>>



Zetex, Inc. ZRC330F01TA

Title		
Size	Number	Revision
A		
Date:	1/26/2009	Sheet of
File:	C:\Documents and Settings\...\Backplane Connector Sch Doc	

A

A

B

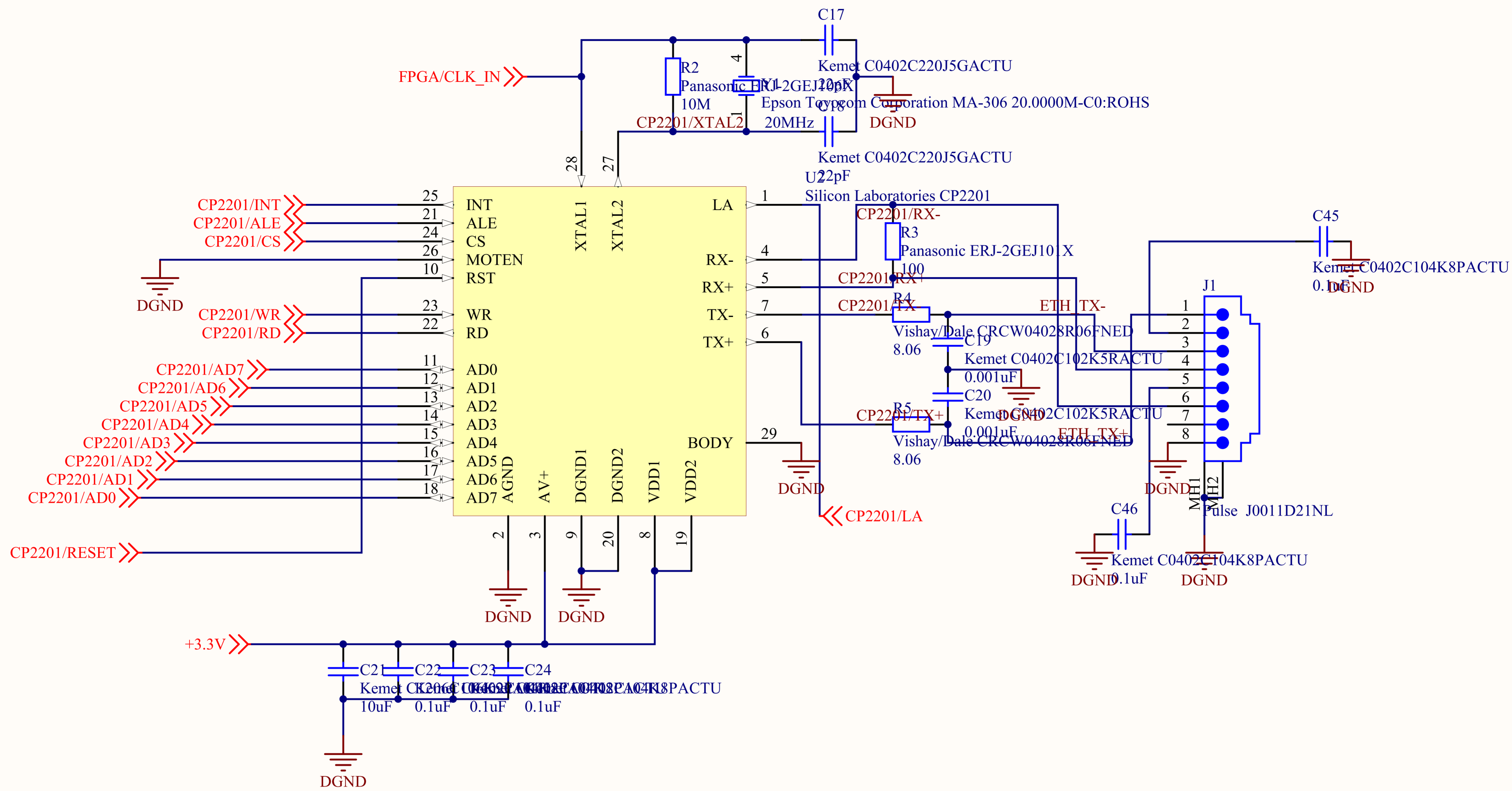
B

C

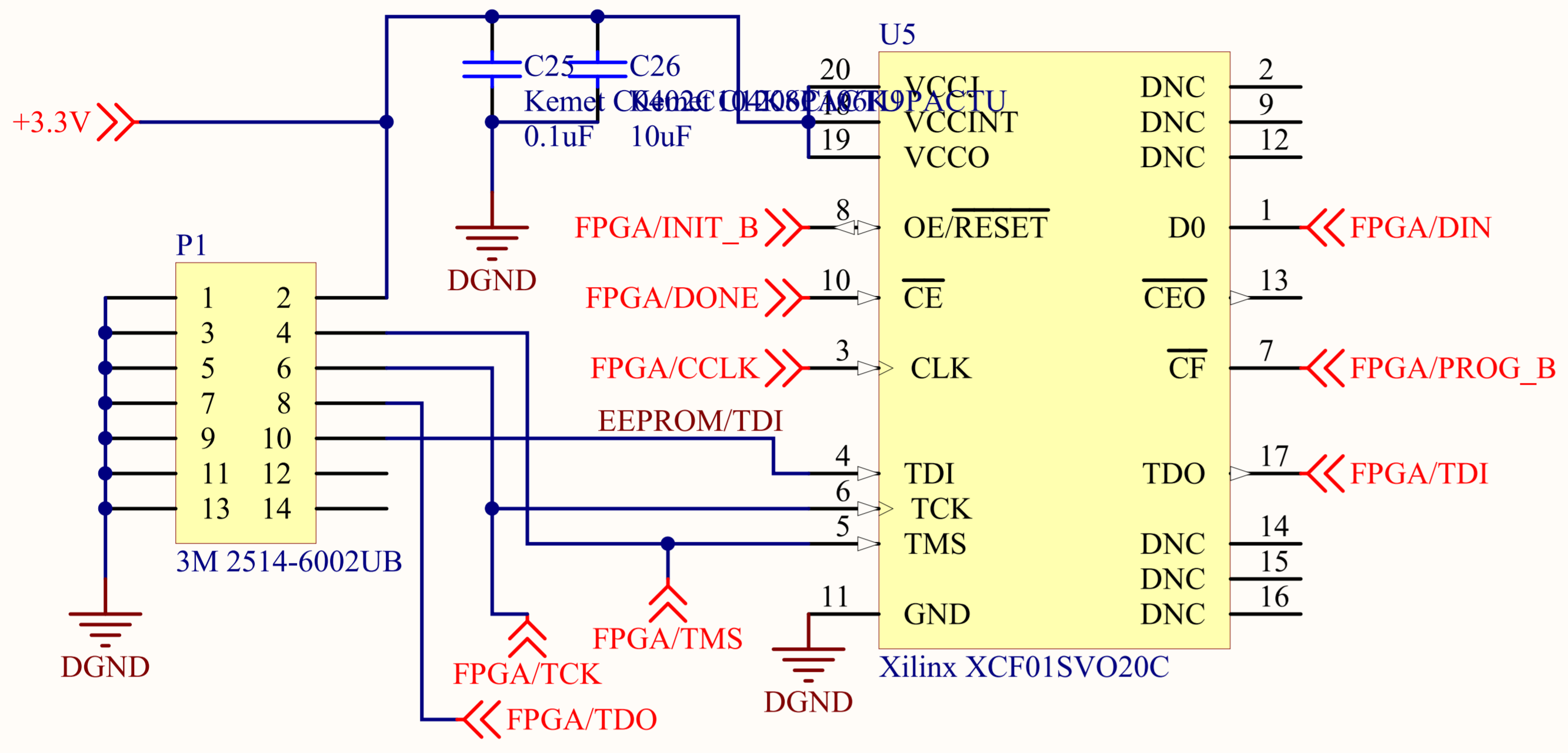
C

D

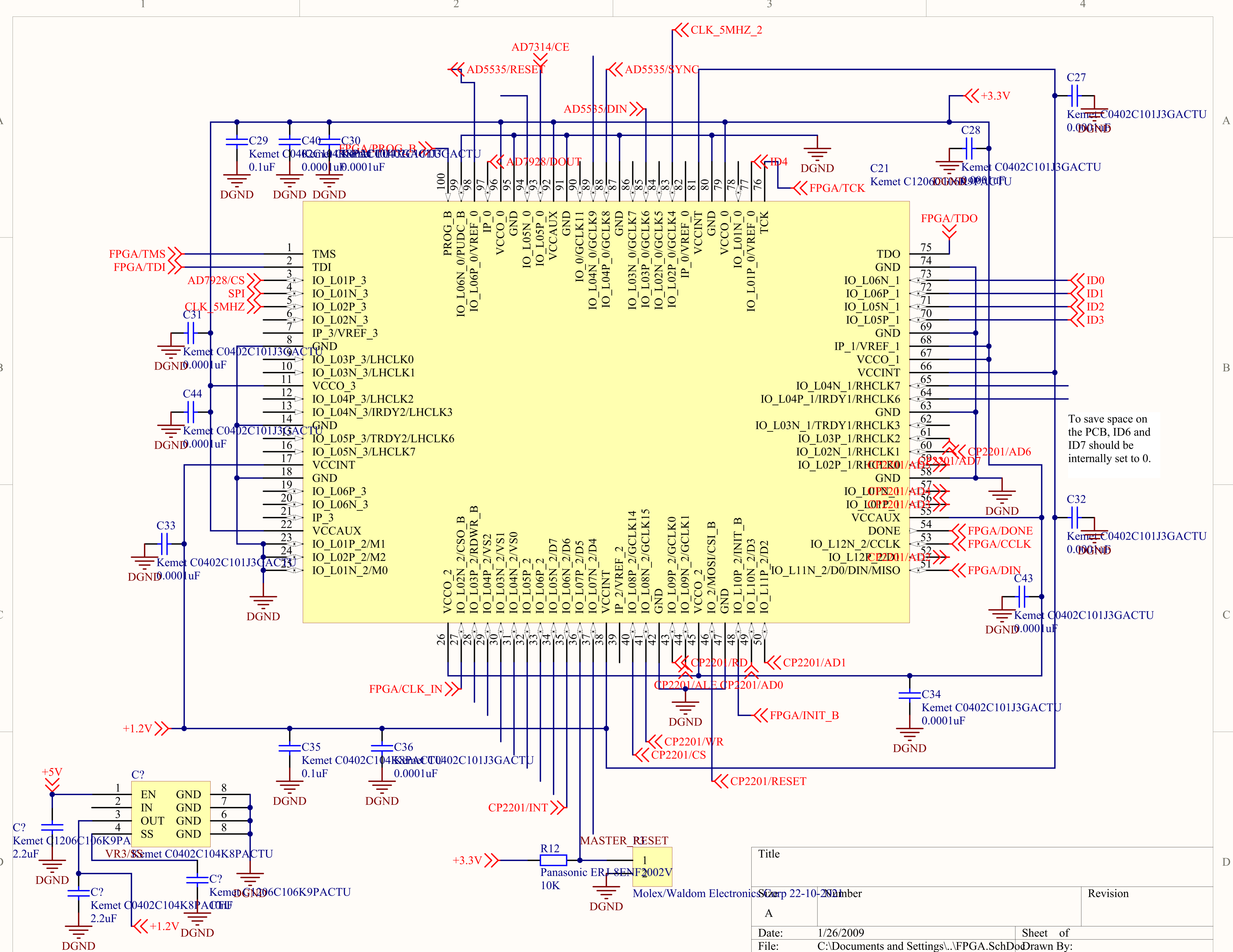
D



Title		
Size	Number	Revision
A		
Date:	1/26/2009	Sheet of
File:	C:\Documents and Settings\...\CP2201.SchDoc	Drawn By:

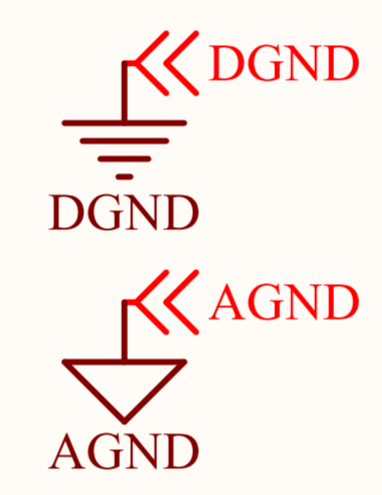
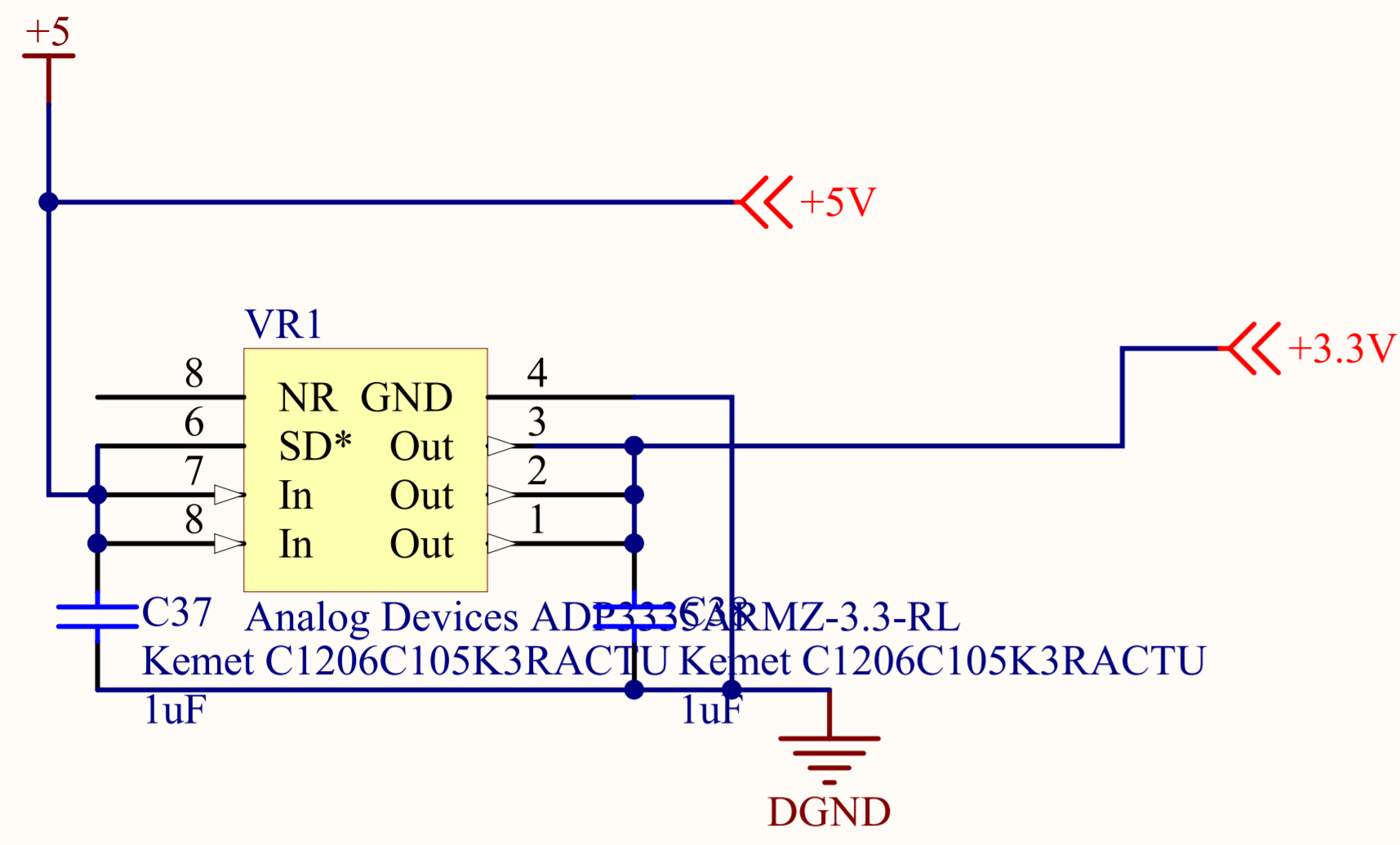


Title		
Size	Number	Revision
A		
Date:	1/26/2009	Sheet of
File:	C:\Documents and Settings\...\EEPROM.SchDoc	Drawn By:



Title			
Date: 1/26/2009		Sheet of	
File: C:\Documents and Settings\...FPGA.SchDoc		Drawn By:	
Molex/Waldom Electronics Corp 22-10-2011		Revision	

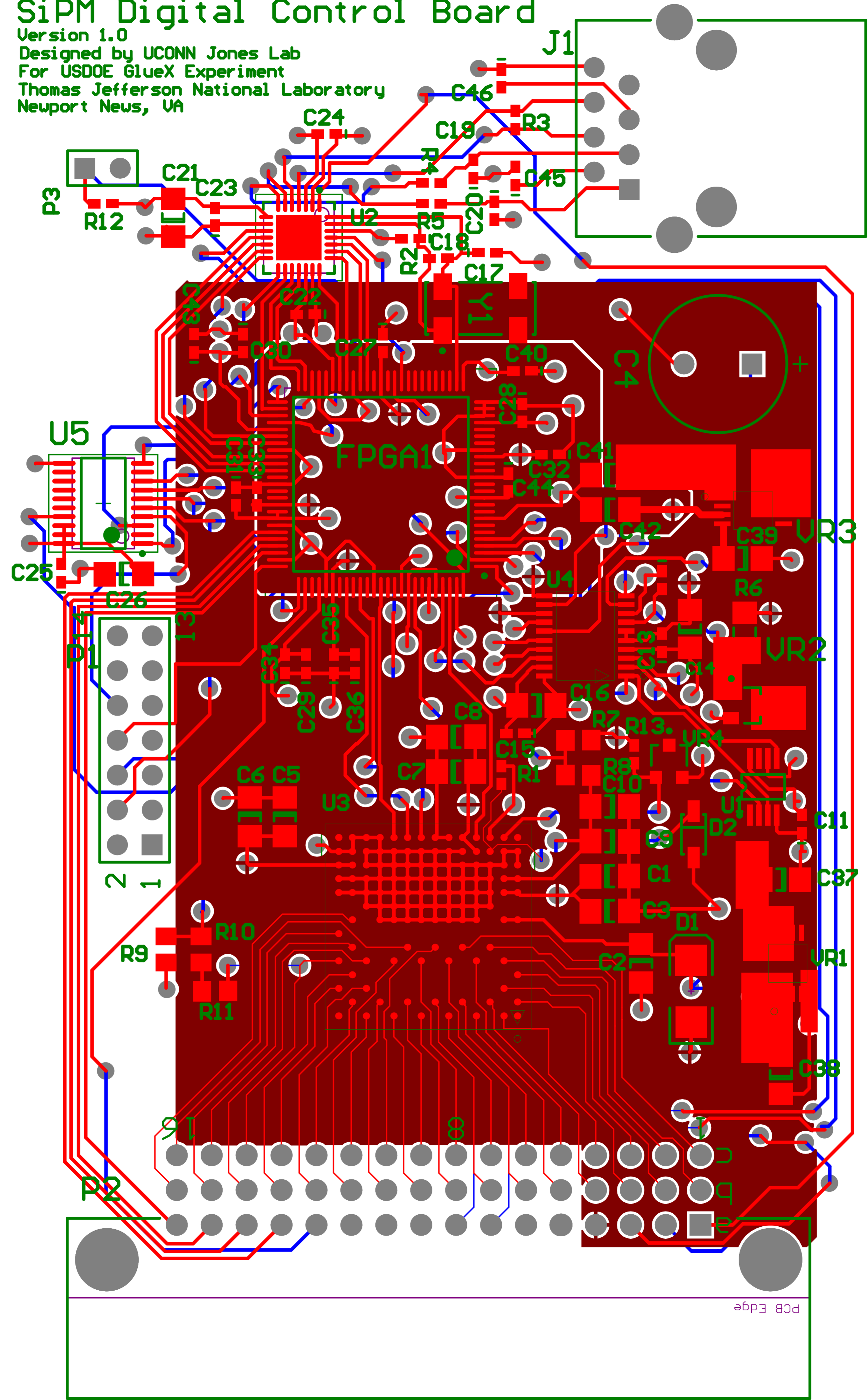




Title		
Size	Number	Revision
A		
Date:	1/26/2009	Sheet of
File:	C:\Documents and Settings\...\Power and Voltage Regulators.SchDoc	

# SiPM Digital Control Board

Version 1.0  
Designed by UCONN Jones Lab  
For USDOE GlueX Experiment  
Thomas Jefferson National Laboratory  
Newport News, VA



PCB Edge