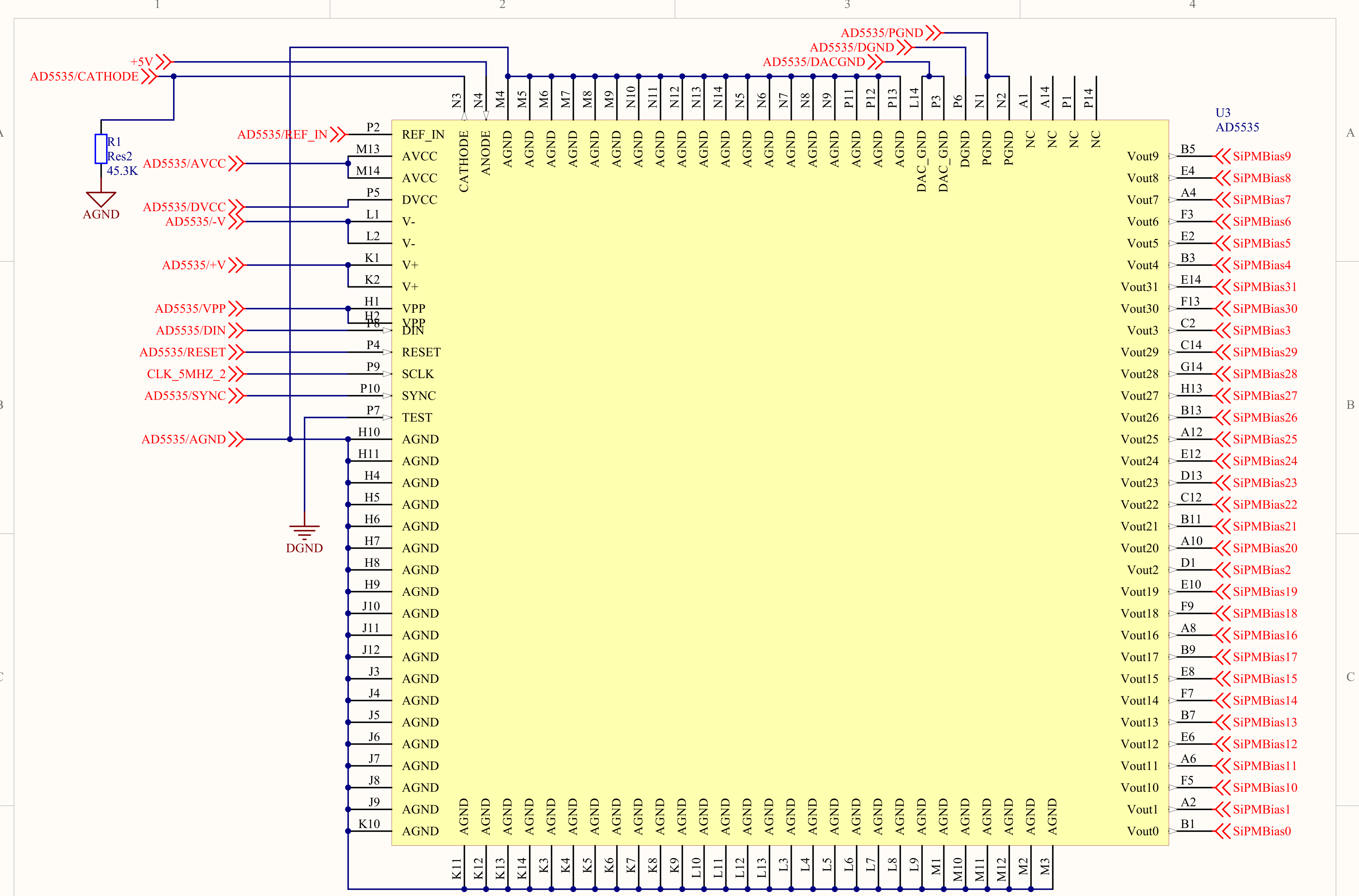
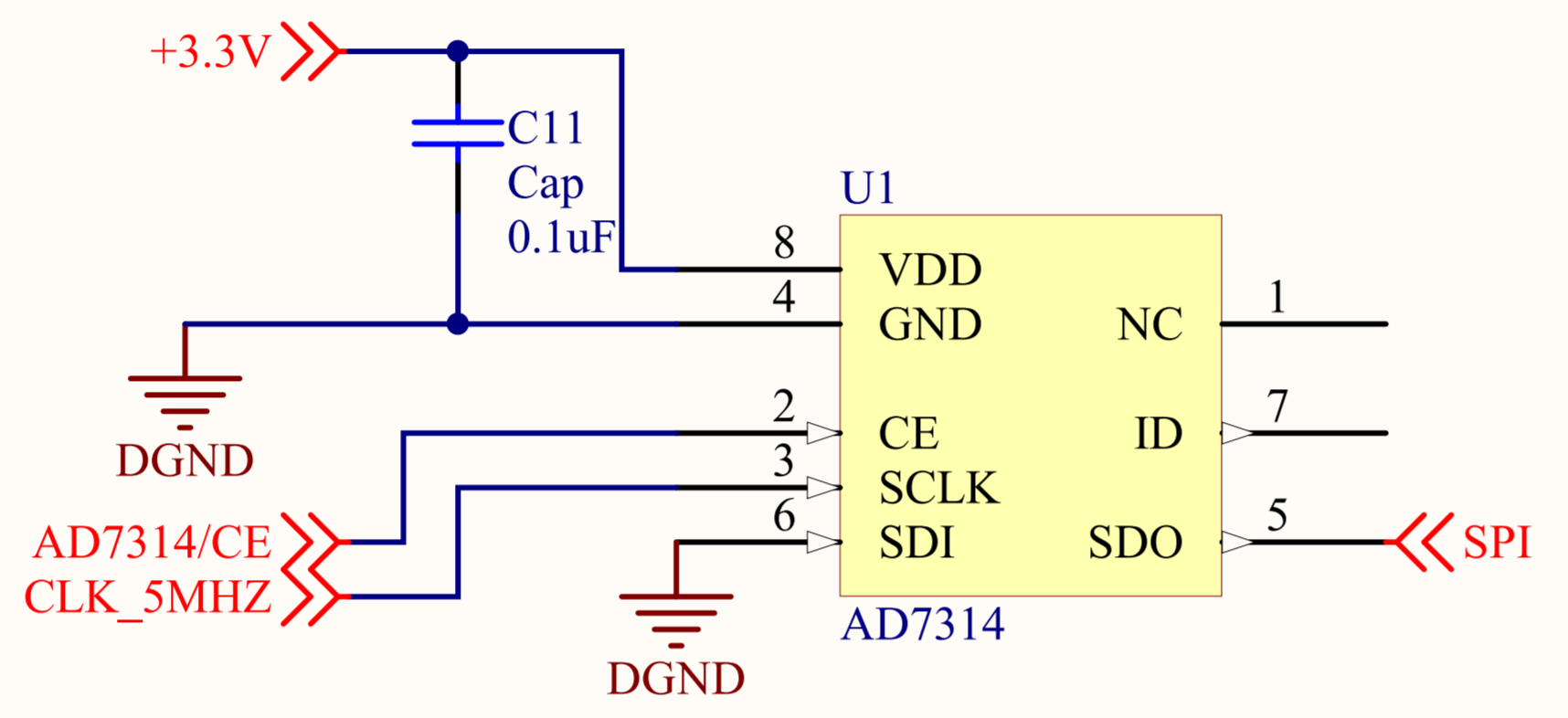


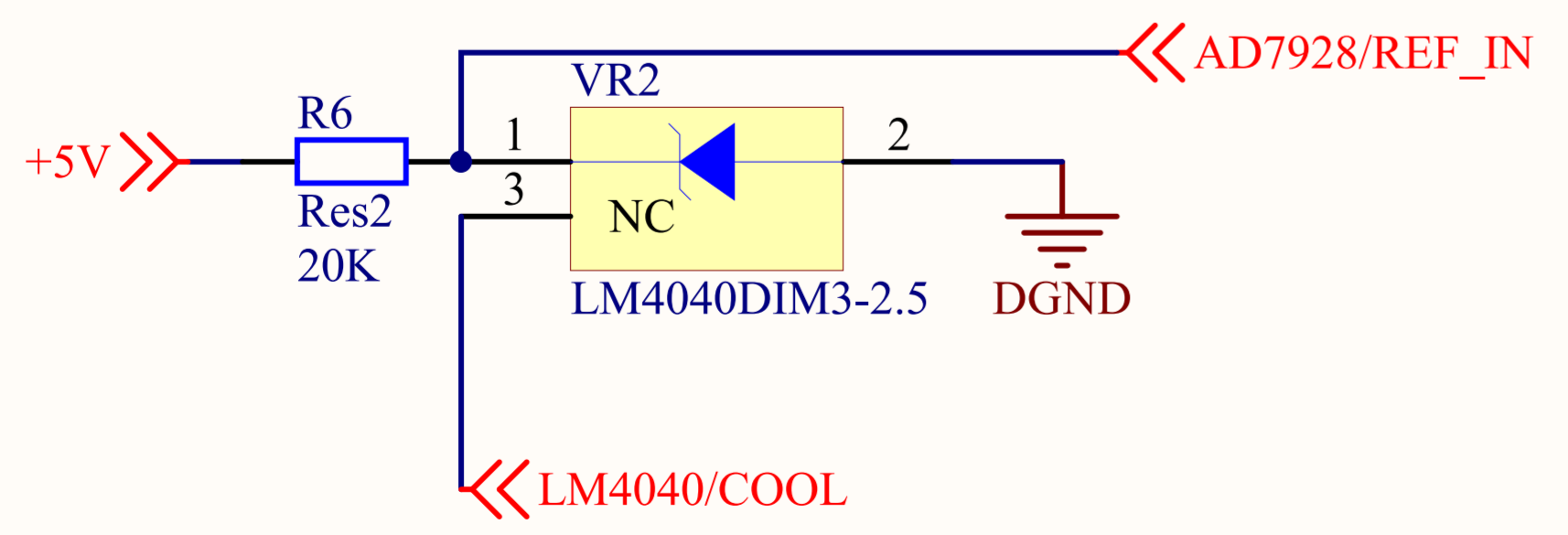
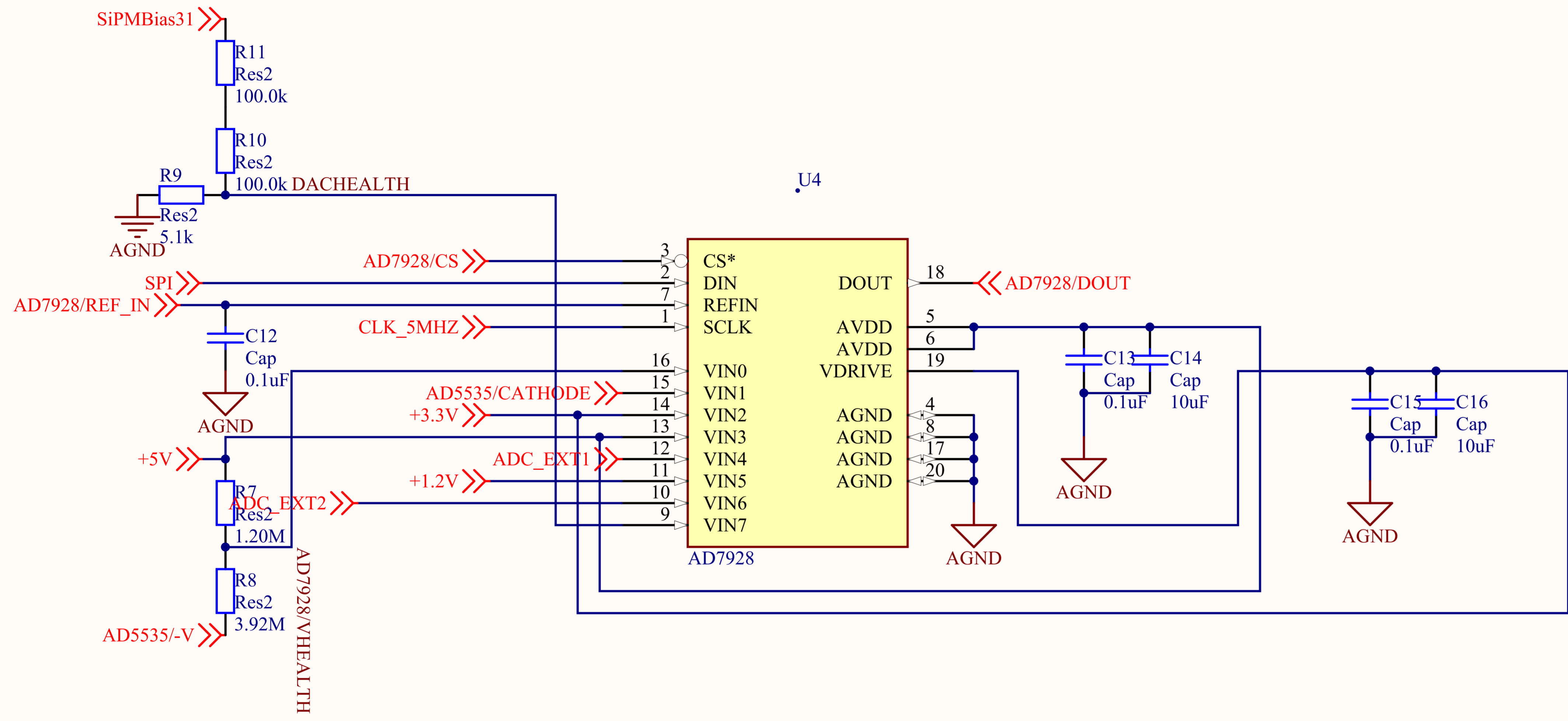
Title		
Size	Number	Revision
A		
Date:	9/7/2008	Sheet of
File:	C:\Documents and Settings\...\AD5535 Power Regulators.SchDoc	



Title		
Size	Number	Revision
A		
Date:	9/7/2008	Sheet of
File:	C:\Documents and Settings\...\AD5535.SchDoc	Drawn By:

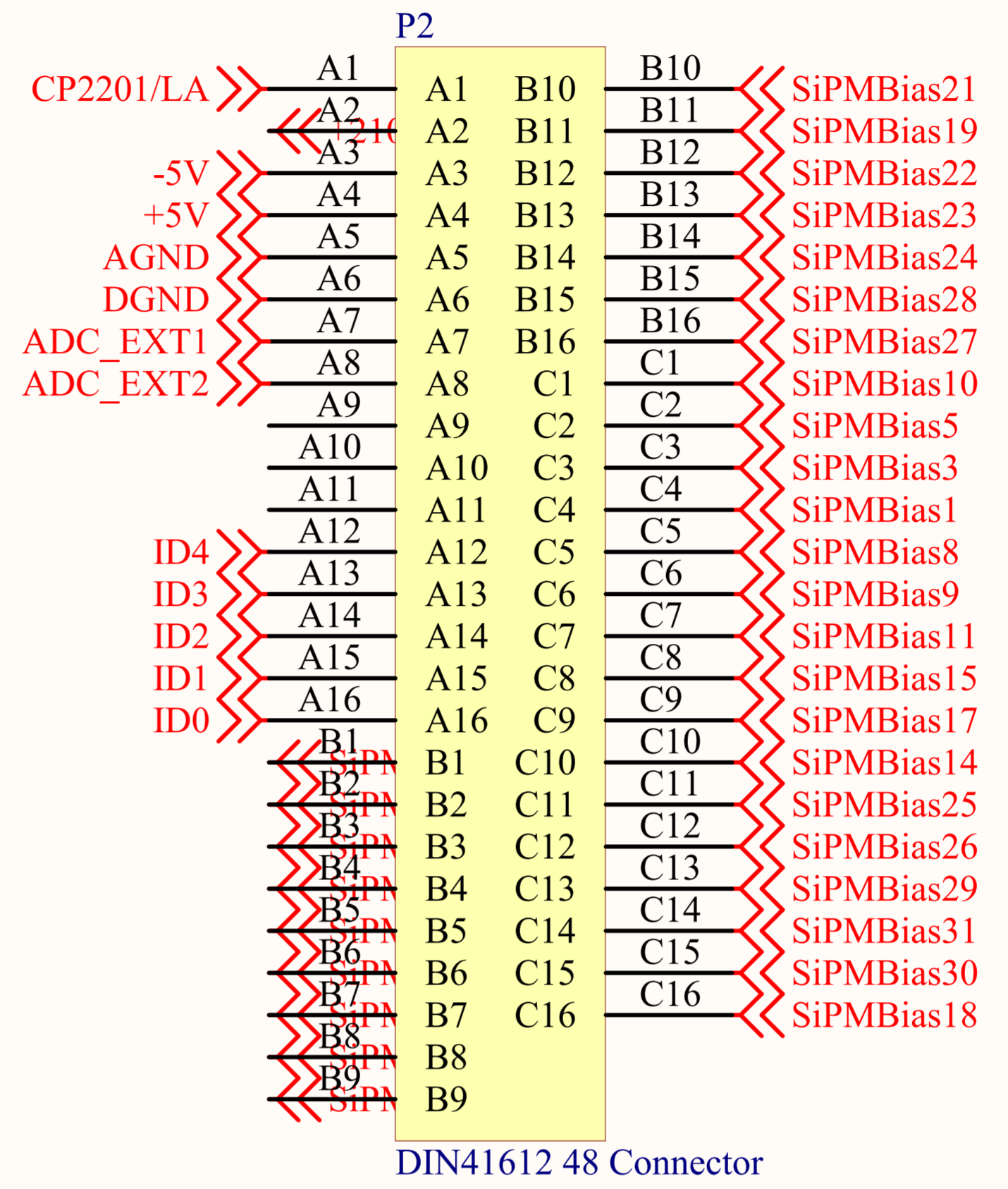


Title		
Size	Number	Revision
A		
Date:	9/7/2008	Sheet of
File:	C:\Documents and Settings\...\AD7314.SchDoc	Drawn By:

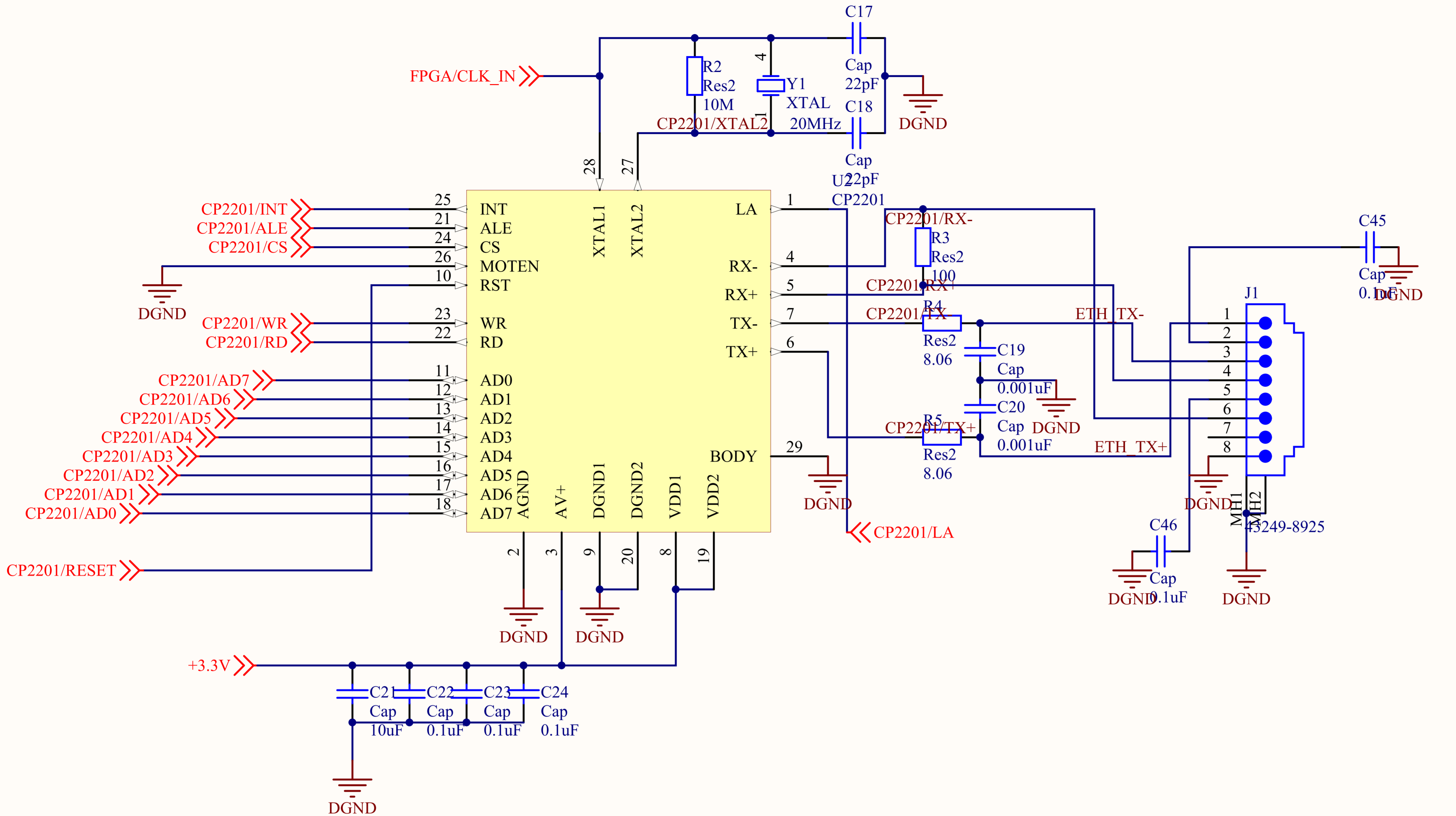


Title		
Size	Number	Revision
A		
Date:	9/7/2008	Sheet of
File:	C:\Documents and Settings\...\AD7928.SchDoc	Drawn By:

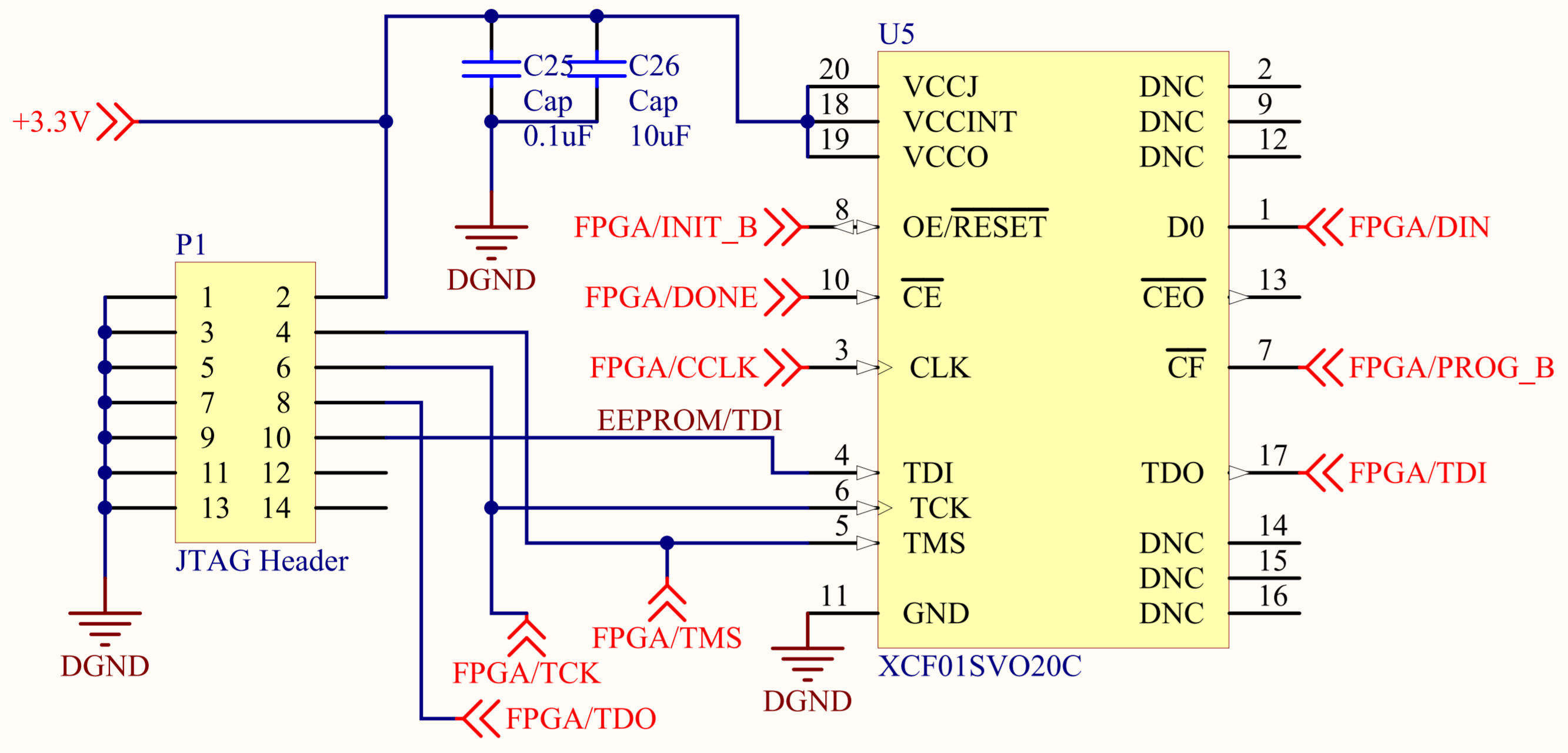
ID5 >>>



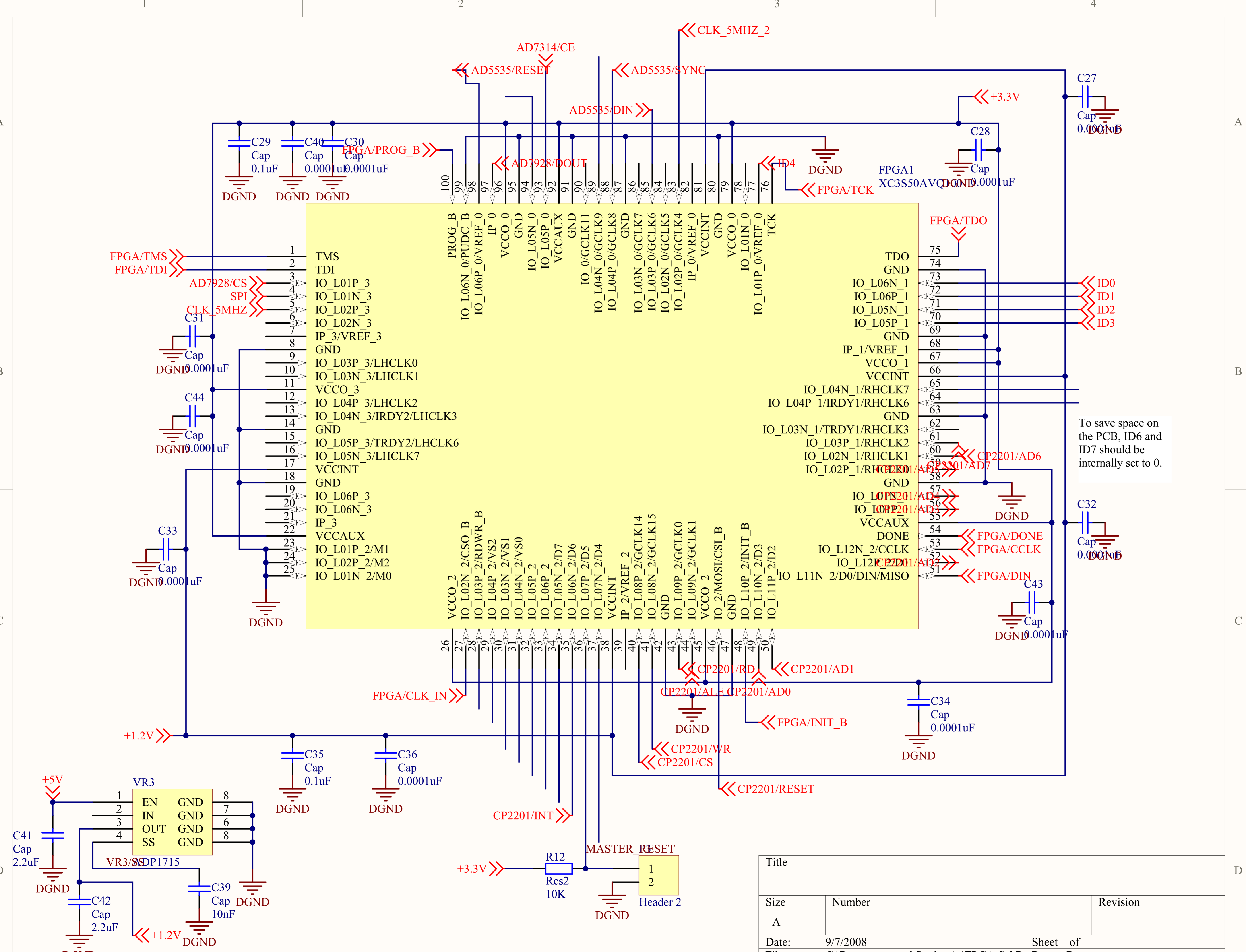
Title		
Size	Number	Revision
A		
Date:	9/7/2008	Sheet of
File:	C:\Documents and Settings\...\Backplane Connector Sch Doc	



Title		
Size	Number	Revision
A		
Date:	9/7/2008	Sheet of
File:	C:\Documents and Settings\...\CP2201.SchDoc	Drawn By:



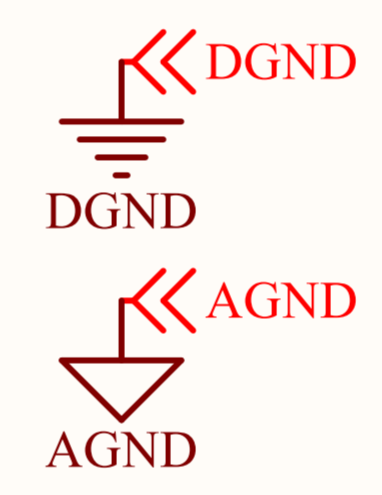
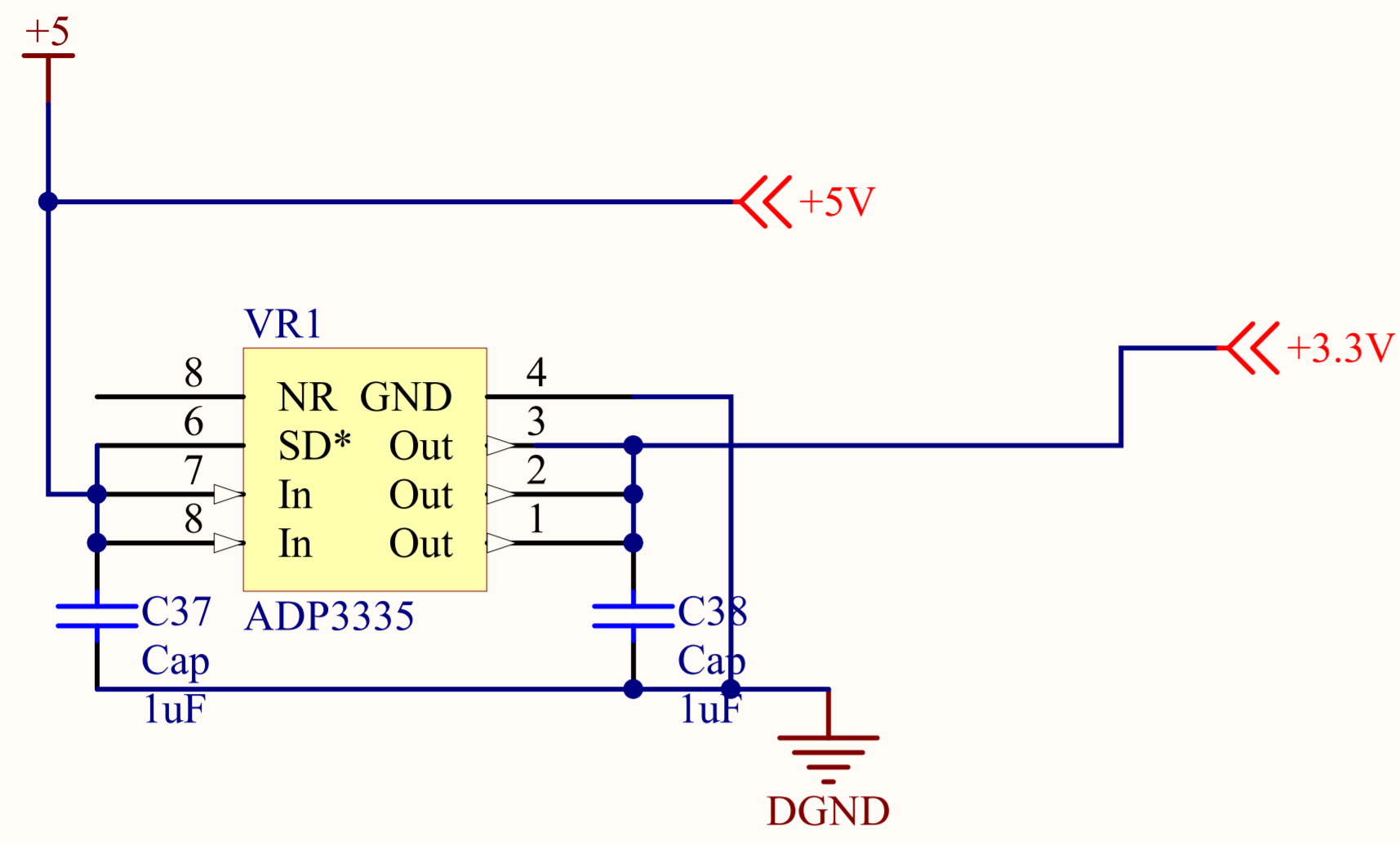
Title		
Size	Number	Revision
A		
Date:	9/7/2008	Sheet of
File:	C:\Documents and Settings\...\EEPROM.SchDoc	Drawn By:



To save space on the PCB, ID6 and ID7 should be internally set to 0.

Title		
Size	Number	Revision
A		
Date:	9/7/2008	Sheet of
File:	C:\Documents and Settings\...\FPGA.SchDoc	Drawn By:





Title		
Size	Number	Revision
A		
Date:	9/7/2008	Sheet of
File:	C:\Documents and Settings\...\Power and Voltage Regulators.SchDoc	

# SiPM Digital Control Board

Version 1.0  
Designed by UCONN Jones Lab  
For USDOE GlueX Experiment  
Thomas Jefferson National Laboratory  
Newport News, VA

