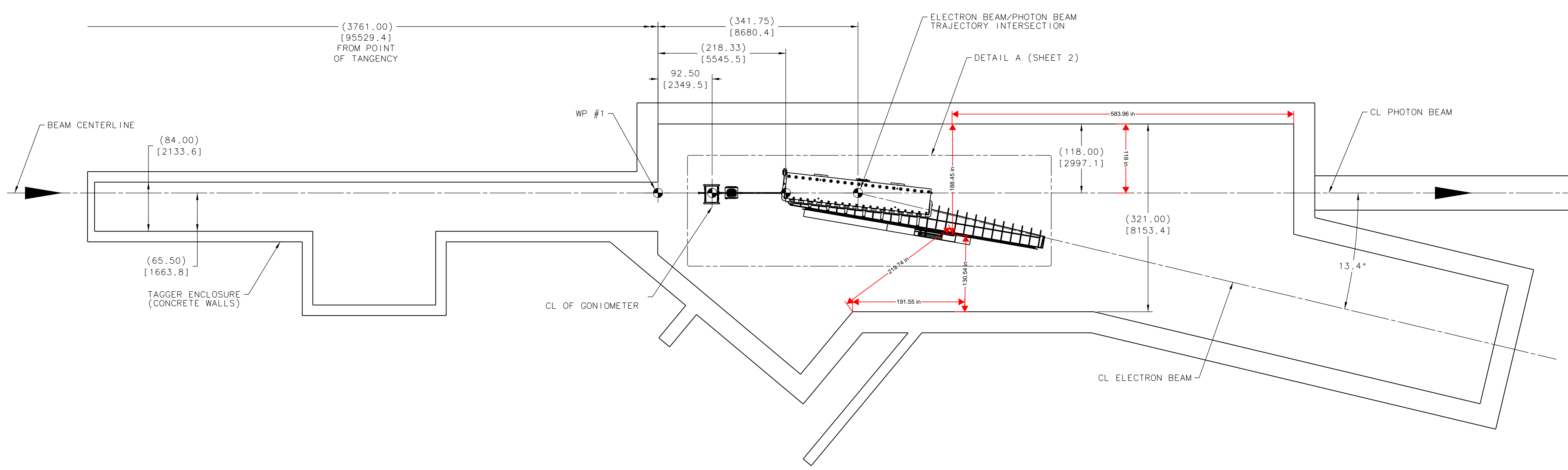
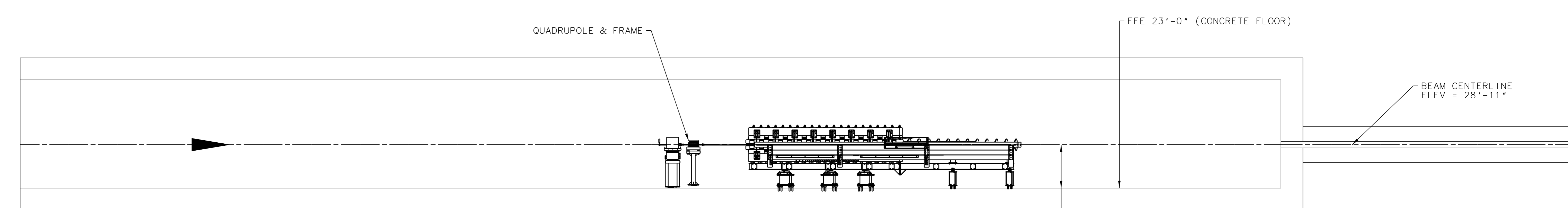


8 7 6 5 4 3 2 1

REVISION HISTORY				
ZONE	REV	DESCRIPTION	DATE	APPROVED



PLAN VIEW



ELEVATION VIEW

PRELIMINARY
11/06/09

DOCUMENT CONTROL STAMP		EACH SHEET OF MULTI-SHEET DRAWINGS SHALL ALWAYS HAVE THE SAME REVISION LEVEL.		United States Department of Energy	
MATERIAL		DRAWING NO. N/A		Jefferson Lab Thomas Jefferson National Accelerator Facility	
FINISH SURFACES UNLESS OTHERWISE NOTED		APPROVALS		Hall D Glue-X Photon Tagger Tagger Magnet & Vacuum Chamber Tagger Interface DWG.	
DO NOT SCALE DRAWING		DATE		REV *	
		DRAWN BY LADNER		DATE 21JUN09	
		CHECKED		SIZE DWG. NO. E	
		APPROVED		SCALE 1/64	
				SHEET 1 OF 2	