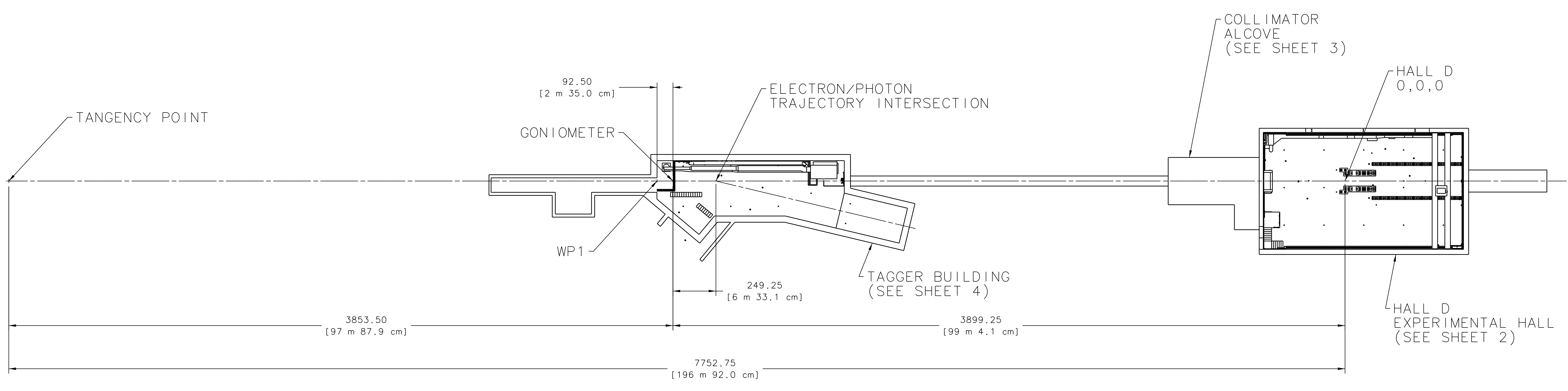
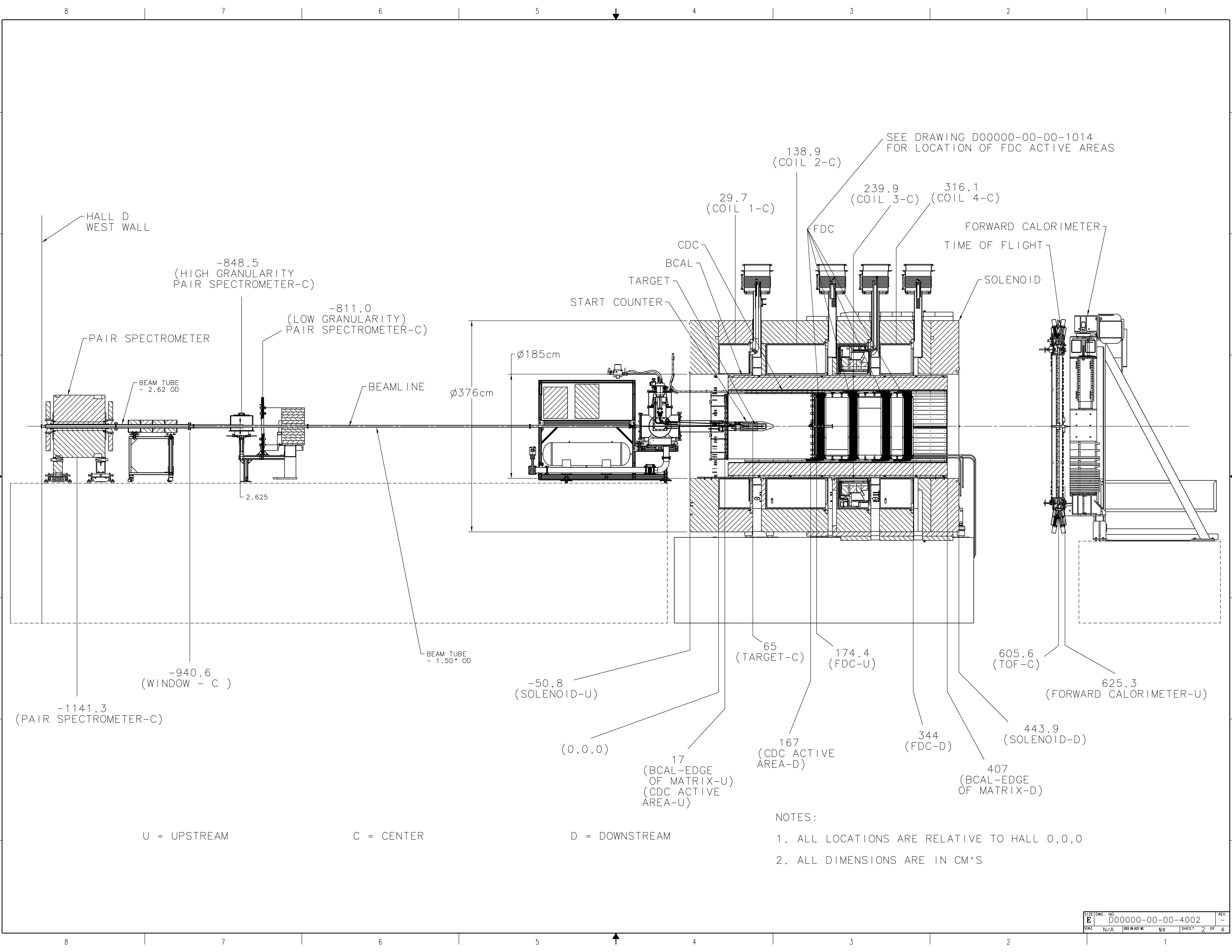


REVISION HISTORY				
ZONE	REV	DESCRIPTION	DATE	APPROVED



NOTES:
 1. ALL LOCATIONS ARE FROM 0,0,0 AND ARE IN CM'S

EACH SHEET OF MULTI-SHEET DRAWINGS SHALL ALWAYS HAVE THE SAME REVISION LEVEL.			
DOCUMENT CONTROL STAMP	DIM & TOL PER ASME Y14.5, UNLESS OTHERWISE SPECIFIED DIMENSIONS ARE IN INCHES TOLERANCES ARE: FRACTIONS: ± N/A DECIMAL: .XX ± 0.1 ANGLES: ± 30'	TRACKING NO. N/A	United States Department of Energy Jefferson Lab Thomas Jefferson National Accelerator Facility Newport News, Virginia
MATERIAL	THIRD ANGLE PROJECTION	APPROVALS	DATE
FINISH: MACHINED SURFACES DEBURR & BREAK ALL SHARP EDGES	UNLESS OTHERWISE NOTED	DRAWN: D.SPELL	11MAR14
DO NOT SCALE DRAWING		CHECKED	
		APPROVED	
		APPROVED	
		SCALE: N/A	USED OR ASSY NO.: N/A
		SHEET: 1	OF: 4



SEE DRAWING D00000-00-00-1014 FOR LOCATION OF FDC ACTIVE AREAS

HALL D WEST WALL

-848.5
(HIGH GRANULARITY PAIR SPECTROMETER-C)

-811.0
(LOW GRANULARITY PAIR SPECTROMETER-C)

PAIR SPECTROMETER

BEAM TUBE - 2.62 OD

BEAMLINE

∅376cm

∅185cm

2.625

BEAM TUBE - 1.50" OD

-940.6
(WINDOW - C)

-50.8
(SOLENOID-U)

65
(TARGET-C)

174.4
(FDC-U)

605.6
(TOF-C)

625.3
(FORWARD CALORIMETER-U)

-1141.3
(PAIR SPECTROMETER-C)

(0,0,0)

17
(BCAL-EDGE OF MATRIX-U)
(CDC ACTIVE AREA-U)

167
(CDC ACTIVE AREA-D)

344
(FDC-D)

407
(BCAL-EDGE OF MATRIX-D)

443.9
(SOLENOID-D)

U = UPSTREAM

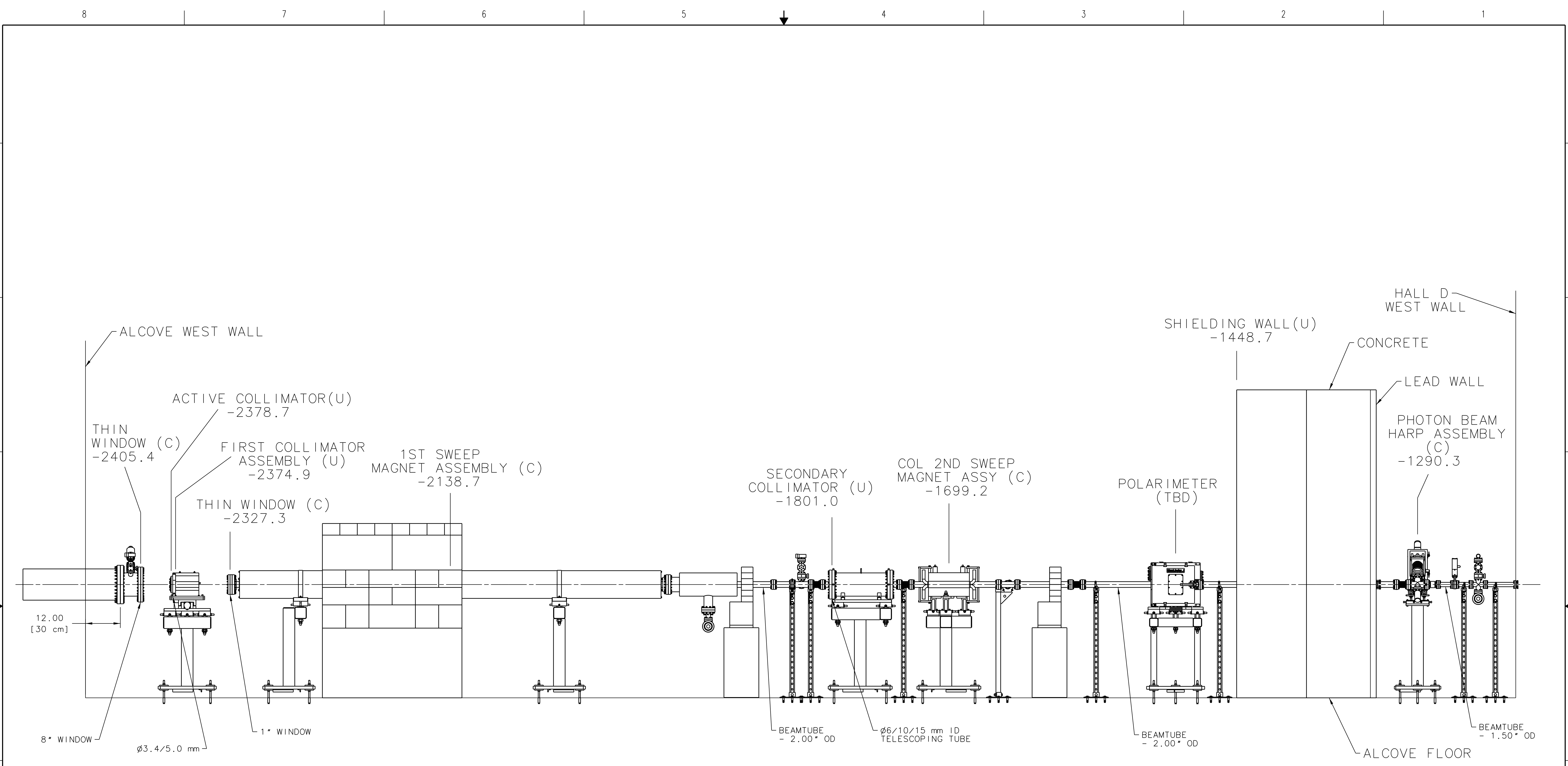
C = CENTER

D = DOWNSTREAM

NOTES:

1. ALL LOCATIONS ARE RELATIVE TO HALL 0,0,0
2. ALL DIMENSIONS ARE IN CM'S

SIZE	DWG. NO.	REV.
N/A	D00000-00-00-4002	-
SCALE	USED OR ASSY NO.	SHEET
N/A	N/A	2 OF 4

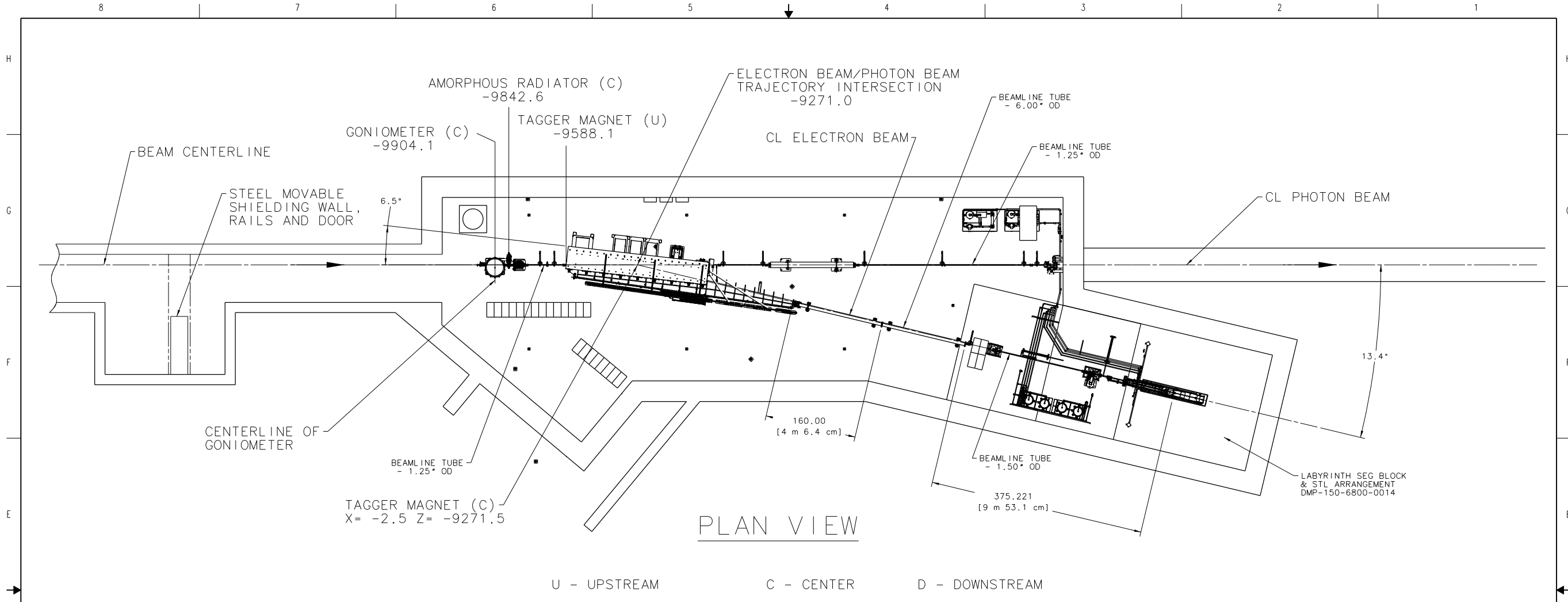


COLLIMATOR ALCOVE

U = UPSTREAM C = CENTER D = DOWNSTREAM

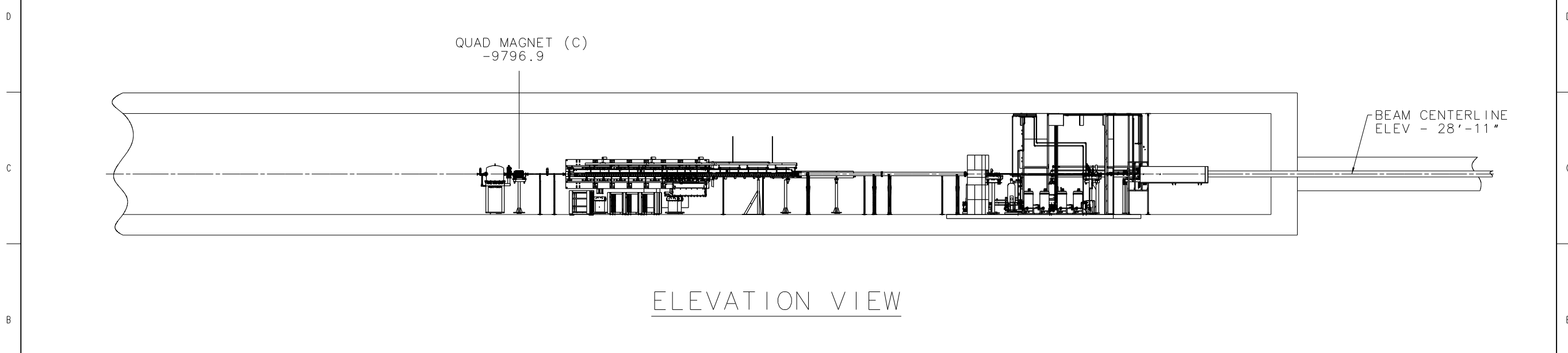
NOTES:
 1. ALL LOCATIONS ARE FROM HALL D 0,0,0 AND ARE IN CM'S.

SIZE	DWG. NO.	REV.
E	D00000-00-00-4002	-
SCALE	N/A	ISSUED BY
		SHEET 3 OF 4



PLAN VIEW

U - UPSTREAM C - CENTER D - DOWNSTREAM



ELEVATION VIEW

- NOTES:
1. ALL LOCATIONS ARE FROM 0,0,0 AND ARE IN CM'S.

SIZE (DWG. NO.)	REV.
E 000000-00-00-4002	-
SCALE N/A	SHEET 4 OF 4