



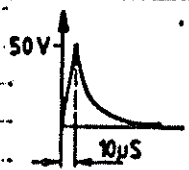
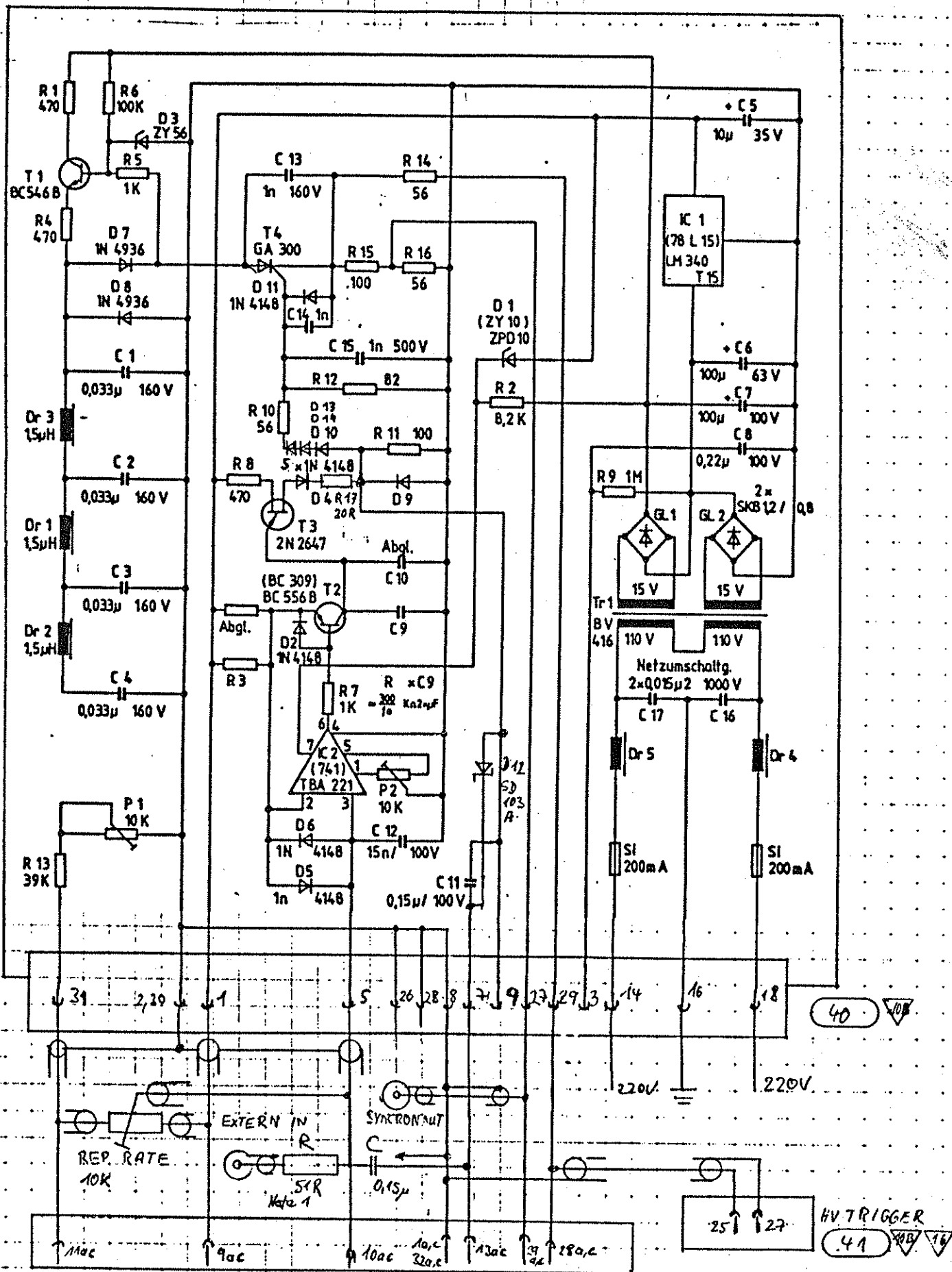
LAMBDA PHYSIK
LASERTECHNIK

Upgrade of the switch-mode power supply

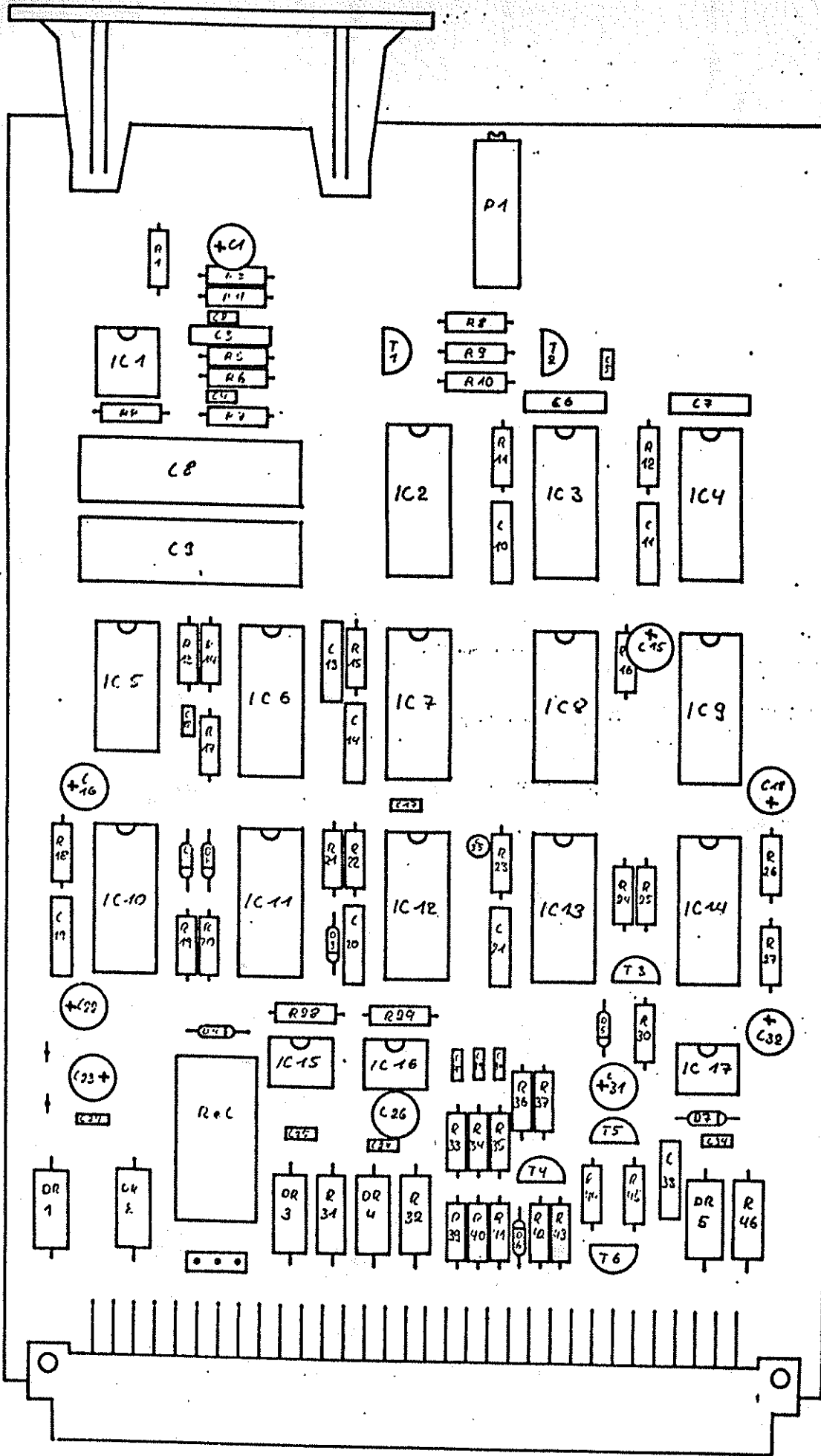
- a) disconnect the power supply (p.s.) from the mains
- b) remove the back panel of the p.s.
- c) remove the cover plate with the yellow label on the left side of the upper unit.
- d) exchange the 60-pin μ P-bypass plug (if delivered)
- e) exchange the triggergenerator (if delivered) the old one is plugged in slot 2 or 4 (numbered from left to right).
the new one should be plugged in slot 2
- f) remove the jumper in slot 4 (if present)
- g) plug in the triggercontrolboard in slot 4 (if delivered)
- h) stick the new label on the old one
- i) if you like to use an external triggergenerator you have to put the external trigger input-box between your triggergenerator and the power supply. Your triggergenerator must deliver 15V in 50 Ohms.
- j) check if the display shows the repetition rate, if the manual trigger works and if you have no triggering from the internal trigger when you use external trigger mode.

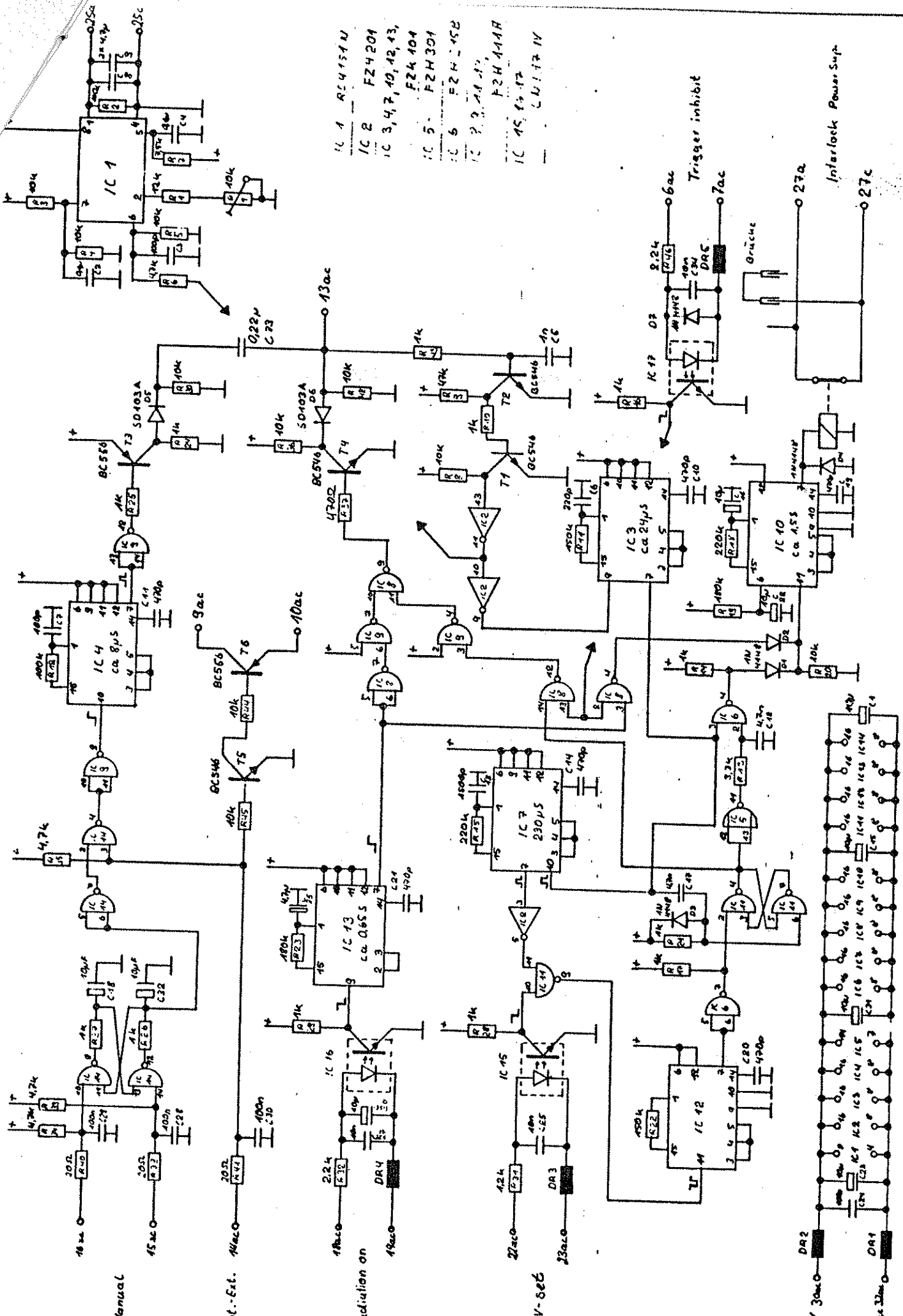
The performance of the new PC-boards has been checked at Lambda Physik

Please ship the exchanged parts back to Lambda Physik or our representative.



Note 1: R and C are located on the Mother board. In units without Motherboard they have to be added on the Extern in Connector.





- IC 1 RC4514N
- IC 2 FZ4201
- IC 3, 4, 7, 10, 12, 13, FZ4404
- IC 5 FZH301
- IC 6 FZH45B
- IC 7, 8, 11, 12 FZH444H
- IC 15, 16, 17 CL171V

Manual

Int.-Ext.

Reduction on

11V-sec

V 3000

27V

