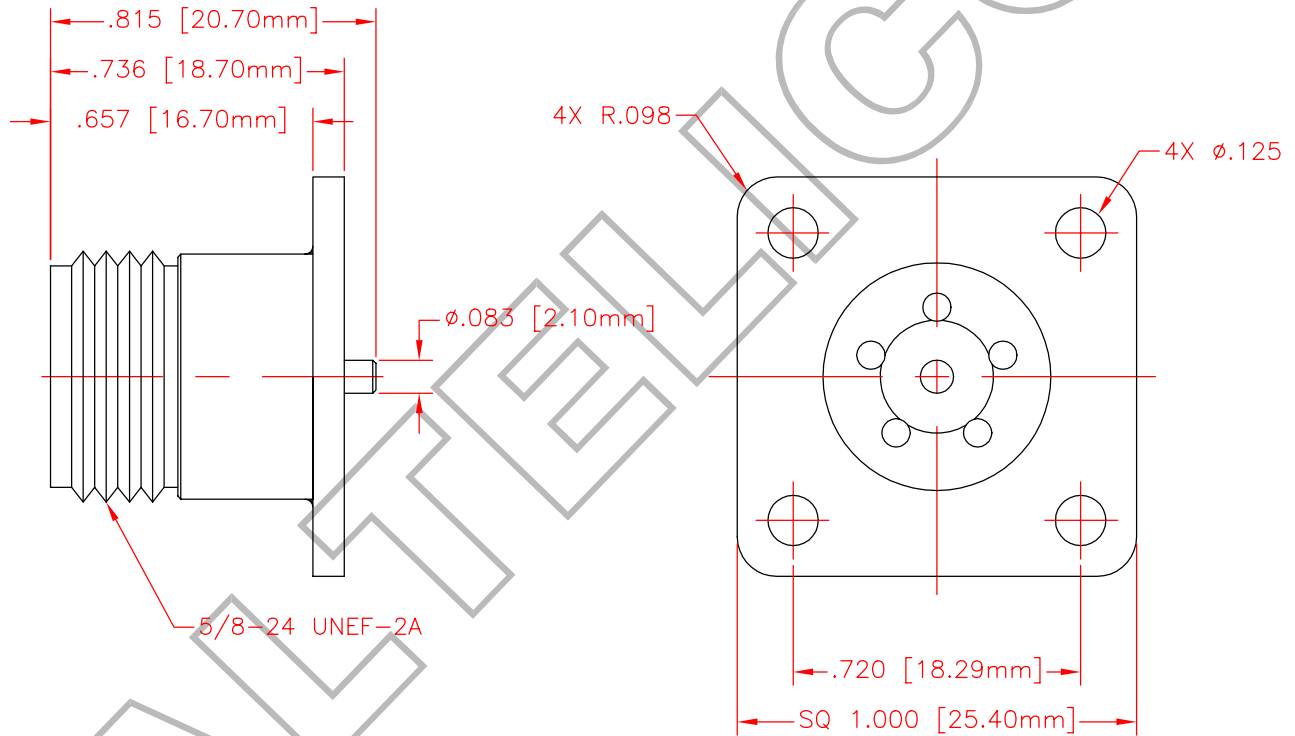


MATERIALS	
BODY	NICKEL PLATED BRASS
CONTACT	GOLD PLATED BRASS
INSULATOR	PTFE



- NOTES:
- UNLESS OTHERWISE SPECIFIED ALL DIMENSIONS ARE NOMINAL.
 - ALL SPECIFICATIONS ARE SUBJECT TO CHANGE WITHOUT NOTICE AT ANY TIME.

REV	ECN No.	DATE	DESCRIPTION	SIZE	TITLE:	DRAWN BY	ORIGINATOR	APPROVAL	SCALE	SHEET	MATERIAL	DRAWING No.	REV
-	-	-	-	A	Panel: N-Female for PCB/1.5mm 1in. Flange	A. VAJANYI 08/03/03	A. VAJANYI 08/03/03	P. Pesa 08/03/03	3:1	1/1	Noted	ANF-4006	A
												PART No. ANF-4006	
												FILE No. ANF-4006	

ALTELICON
YOUR CONNECTOR CONNECTION

ALTELICON
Website: www.altelicon.com
E-Mail: sales@altelicon.com
Copyright © ALTELICON. All rights reserved.